



## COUNTER LIGHTING | Sense Line GenX

-  **COOL** Refrigeration & non-refrigeration equipment
-  Counter lighting
-  High efficiency
-  **Plug-in solution**  
Cinch-Connection-System
-  Dimmable
-  Various lengths



## COUNTER LIGHTING| Sense Line GenX

### PRODUCT DESCRIPTION

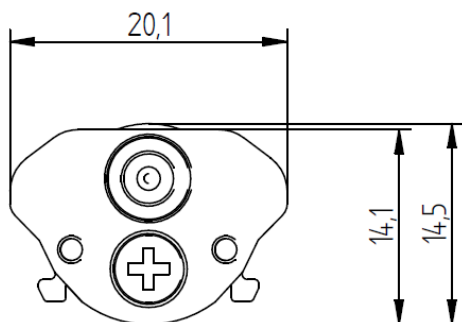
- High efficient lighting for counters and cabinets
- Ready-to-connect solution available, thanks to our Cinch Connection System
- High operational performance due to directional lighting, integrated heat dissipation and highly efficient LEDs
- Excellent product illumination thanks to the combination of SMD LEDs and innovative optics
- Safe-use operation due to safety extra-low voltage (SELV)
- Simple installation with application of FIXING Plates
- Heat sink profile made of anodised, extruded aluminium
- LED modules protected against moisture & dust by conformal coating
- End caps made of PBT
- Linear lenses made of Polycarbonate (GWT up to 850°C)
- Dimming capability

### TECHNICAL DATA

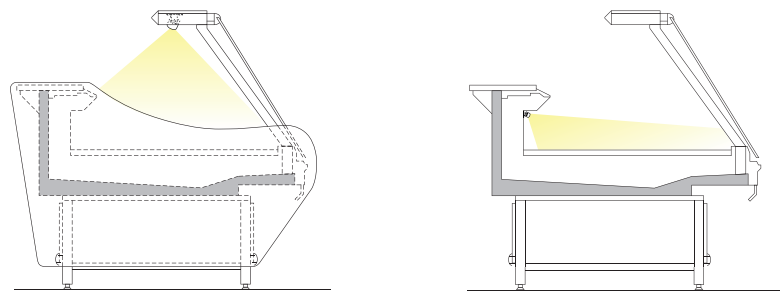
Supply voltage	24 VDC
Ambient temperature $t_a$	-30 ... +30 °C
Max. surface temperature on profile $t_c$	60 °C
Type of protection	IP54
Protection class	III
Risk group [EN 62471:2008]	0



### SKETCH



### APPLICATION



## COUNTER LIGHTING | Sense Line GenX

### TECHNICAL DATA | ORDER DATA

Art. Nr.	Type	Length	Colour	No. of modules	Efficiency	Luminous flux	Power	CRI
91430372	LED LE905 NW 6L14-GenX 24V/80mA COS8DY	905mm	6	Neutral White	112lm/W	1280lm	11,4W	≥90
91430373	LED LE905 WW 6L14-GenX 24V/80mA COS8DY	905mm	6	Warm White	101lm/W	1150lm	11,4W	≥90
91430374	LED LE905 PM 6L14-GenX 24V/80mA COS8DY	905mm	6	Meat & Deli	93lm/W	1060lm	11,4W	≥90
91430375	LED LE1200 NW 8L14-GenX 24V/80mA COS8DY	1.200mm	8	Neutral White	112lm/W	1700lm	15,2W	≥90
91430376	LED LE1200 WW 8L14-GenX 24V/80mA COS8DY	1.200mm	8	Warm White	101lm/W	1540lm	15,2W	≥90
91430377	LED LE1200 PM 8L14-GenX 24V/80mA COS8DY	1.200mm	8	Meat & Deli	93lm/W	1410lm	15,2W	≥90
91430378	LED LE1760 NW 12L14-GenX 24V/80mA COS8DY	1.760mm	12	Neutral White	112lm/W	2550lm	22,8W	≥90
91430379	LED LE1760 WW 12L14-GenX 24V/80mA COS8DY	1.760mm	12	Warm White	101lm/W	2300lm	22,8W	≥90
91430380	LED LE1760 PM 12L14-GenX 24V/80mA COS8DY	1.760mm	12	Meat & Deli	93lm/W	2120lm	22,8W	≥90

Packaging: 12 pieces/carton, 360 pieces/palle

- All typical values for Ta=25°C +/- 2°C
- Luminous flux min. value = typ. value - 20%
- Tolerance mechanical dimensions +/- 1mm
- Tolerance electrical data +/- 15%
- Tolerance optical data for NW & WW +/- 15% (LED Modul @ 60mA string current)
- Tolerance optical data for PM +/- 15% (LED Modul @ 100mA string current)
- Tolerance min. value CRI -1

Luminaires also available in all other LUMITECH light colours:

Cool White  
5000K

Bread & Pastries  
2400K

Pasta & Cheese  
2700K

### CONVERTER

Output voltage	24 VDC +10 %
Power converter	= sum of the typical individual power of the light engines + 20 %
Chain length (luminaires)	120mA: max 21 Module 100mA: max 24 Module 80mA: max 28 Module 60mA: max 33 Module 50mA: max 35 Module 40mA: max 40 Module 33mA: max 42 Module

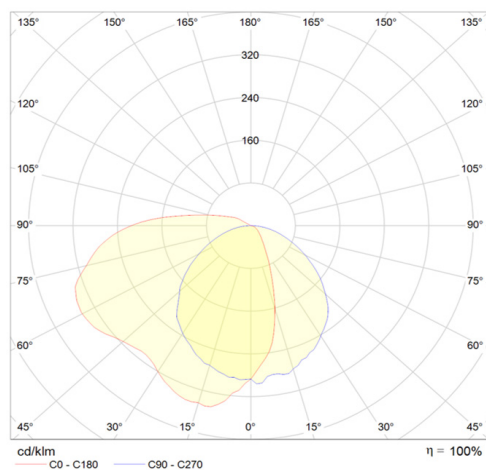
#### Selection of the operating device/protective functions

The operating device protects the modules against overvoltage, overcurrent, overload and short circuits. The device must comply with the relevant standards for safe operation in freezer and refrigeration equipment and must be also technically approved by LUMITECH Lighting Solution GmbH. Power supply units must ensure the following protective measures:

- SELV
- Short-circuit protection
- Overload protection
- Overtemperature protection
- Protection against environmental influences

### OPTICAL PROPERTIES - LUMINAIRE

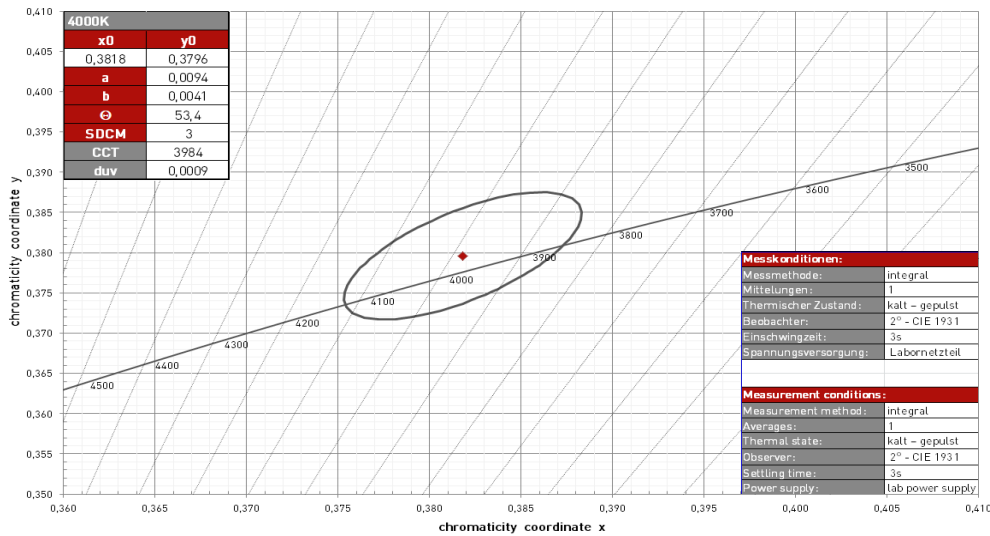
#### Light Distribution measured at 35° angle



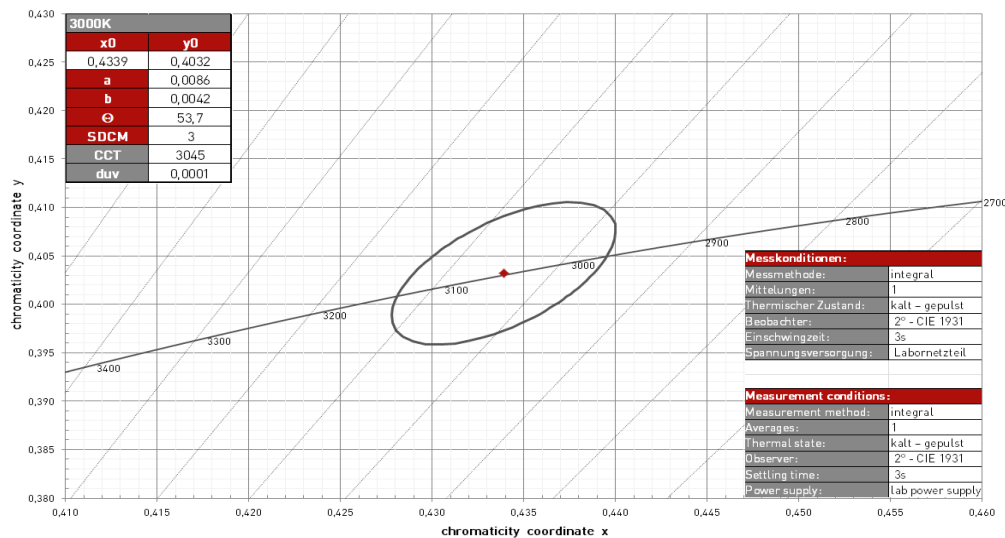
COUNTER LIGHTING | Sense Line GenX

COORDINATES AND TOLERANCES\*

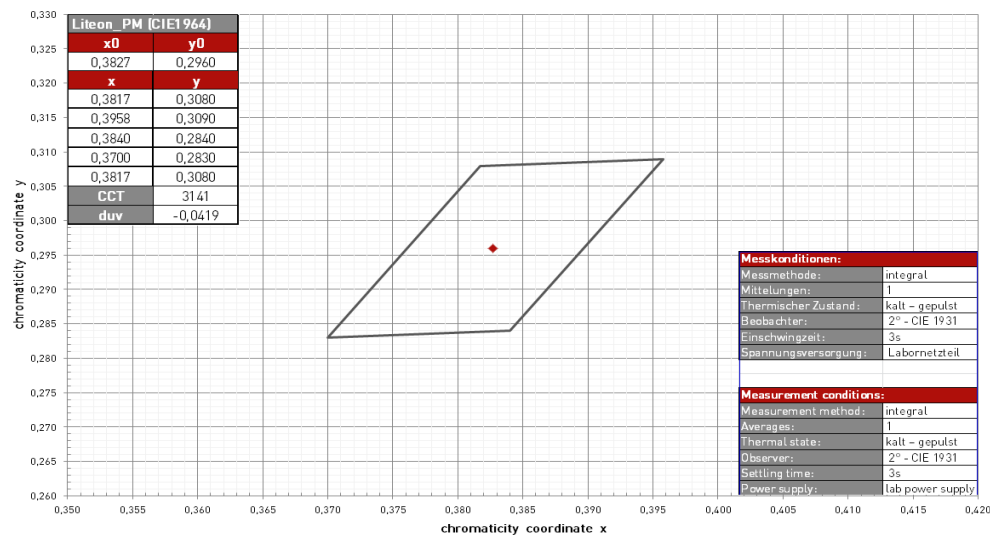
Neutral White



Warm White



Packed Meat



\*Data refers only to LED MODULES WITHOUT LENS!  
\*Colour shift through the lens is possible on request!

## COUNTER LIGHTING | Sense Line GenX

### COLOUR KEY

Code	CW	NW	WW	PC	BP	PM
Colour	Cool White	Neutral White	Warm White	Pasta & Cheese	Bread & Pastries	Meat & Deli
CCT	5000K	4000K	3000K	2700K	2400K	special colour

### LIFETIME

70.000h (L80 B10)

### STANDARDS

- EN 60598-1
- EN 60598-2-1
- EN 62031
- EN 62471
- EN 60335-2-89

### THERMAL BEHAVIOUR

Operating temperature (operation, no defects)	ta	-30 ... +30 °C
Storage temperature	ts	-30 ... +60 °C
Temperature cooling profile <sup>12</sup>	tc	-30 ... +60 °C

<sup>1</sup> Values apply to operation at 100% output, natural convection.

<sup>2</sup> If the maximum temperature limits are exceeded, the lifetime of the module will be greatly reduced or the module may be destroyed. The tc point temperature at the profile of the light engine should be measured in the thermally stable state and under operating conditions by means of a temperature sensor or temperature-sensitive sticker (available for example from conrad.com or rs-components.com) in accordance with EN60598-1. The entire profile can be used as the tc point.



#### Note

- Installation should only be conducted by a licensed electrician.
- Reversing the polarity can damage the product!
- Make sure the converter has been switched off prior to connecting the light engine. If this is not observed, the light engine may be damaged!
- Connection or operation is only permitted when using the specified converters. Higher voltages result in damage to or failure of the light engine.
- The user is responsible for correct selection of illumination intensity. Excessive illumination intensity may lead to greying or colour changes of displayed products.