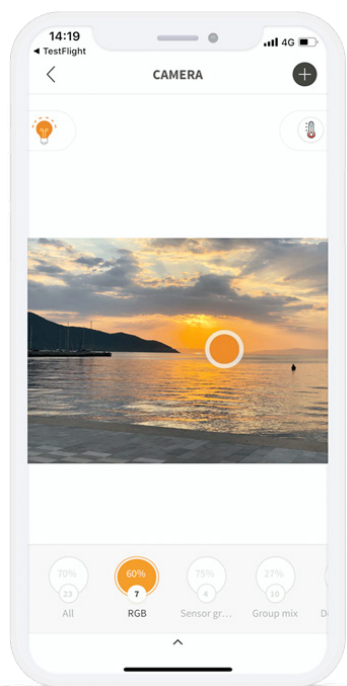


Dara stands for a smart lighting IoT solution where luminaires, sensors and switches are combined and individually configured to finally build a perfectly matched light installation for each type of application. This is done by having a certain number of Dara Devices which are set up to build one or more Bluetooth mesh networks (for communication with mobile devices) and then, by using the Dara Lighting App, configured to control the connected DALI luminaires.



## DARA SMART LIGHTING SYSTEM



### FEATURES of the DARA LIGHTING APP

DARA Lighting App	available for Android (Play Store) and iOS (App Store)
Works together with	one or more DARA L Devices / Bluetooth and WiFi required
Commissioning	Addressing and grouping of PI-LED luminaires and sensors
Luminaire (group) control	Brightness and colour control (CCT, CIE-xy, RGB)
Network setup	Defining and storing light scenes and scenarios
HCL feature	Standard and seasonal daylight curves (for direct/indirect light)
Sensor setup	Defining and assigning sensor profiles (motion/brightness)
Photo features	Color picking, color replication and color enhancement
Light map	Creating a map with luminaires based on a photo
Accessories	Adding a kinetic switch with flexible functionality to a network

### COMPATIBILITY LISTS

#### iOS:

iPhone 5  
iPhone 5C  
iPhone 5S  
iPhone 6  
iPhone 6 Plus  
iPhone SE  
iPhone 7  
iPhone 7 Plus  
iPhone 8  
iPhone X

iPod Touch  
iPod Touch (6 generation)  
iPad Air  
iPad Air 2  
iPad 2017  
iPad Mini 4  
iPad Pro

#### Android:

Lollipop (5.0-5.1.1)  
Marshmallow (6.0-6.0.1)  
Nougat (7.0-7.2)  
Oreo (8.0-8.1)

#### Bluetooth:

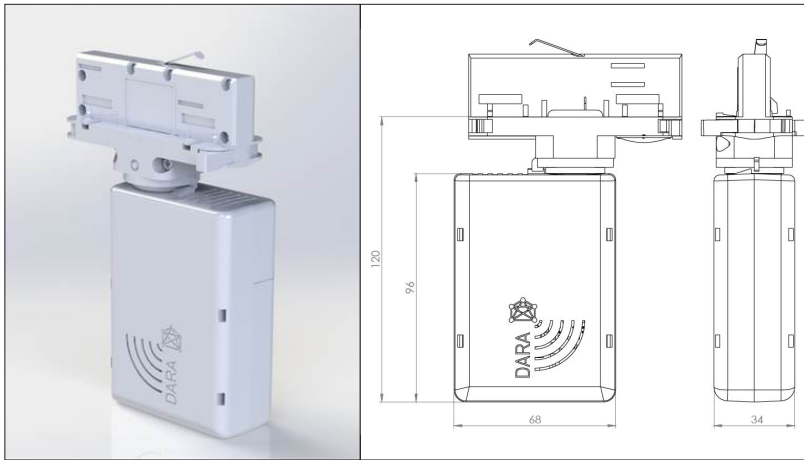
4.2 and higher



Download name: "Dara Lighting"

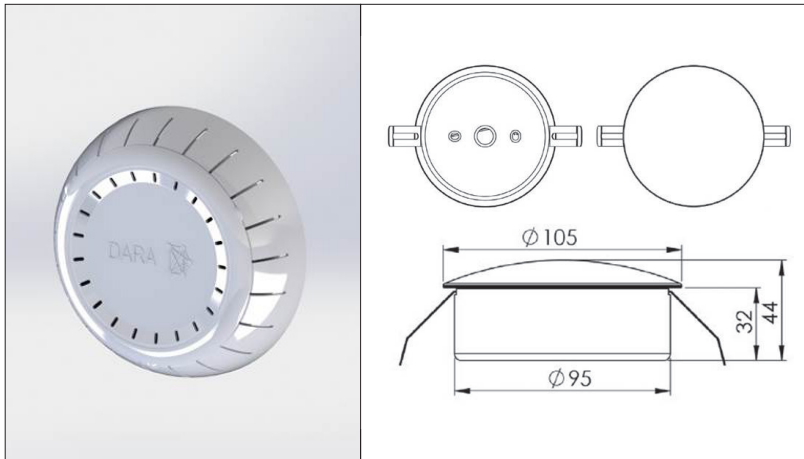
## PI-LED® DARA SMART LIGHTING SYSTEM

### III DARA L DEVICES - HARDWARE



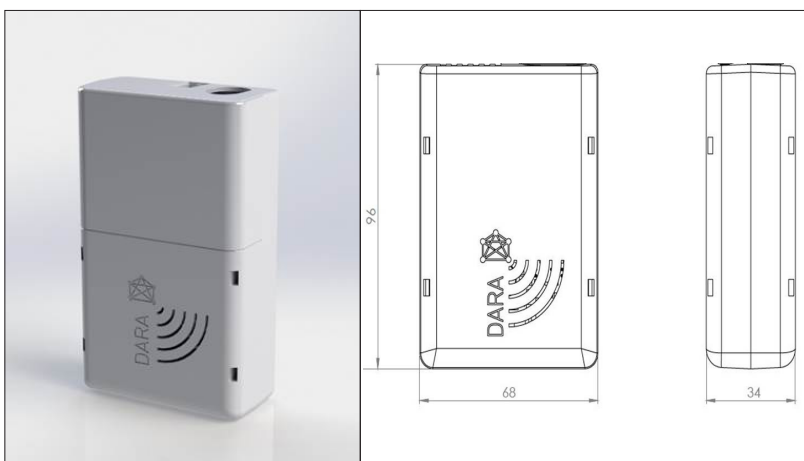
#### III DARA L TRACK

Dimensions	120 x 68 x 34mm
Power Consumption	6.5W
Protection class	Safety class II
Protection type	IP20
Operating temperature	-20°C to +50°C
Storage temperature	-20°C to +55°C
Input voltage	230V AC
Output signals	DALI - for control of DALI luminaires Bluetooth - for interaction with DARA App
Housing colour	White, black, grey



#### III DARA L SURFACE MOUNTED

Dimensions	Ø105mm
Power Consumption	6.5W
Protection class	Safety class II
Protection type	IP65
Operating temperature	-20°C to +50°C
Storage temperature	-20°C to +55°C
Input voltage	230V AC
Output signals	DALI - for control of DALI luminaires Bluetooth - for interaction with DARA App
Housing colour	White, black



#### III DARA L BOX

Dimensions	96 x 68 x 34mm
Power Consumption	6.5W
Protection class	Safety class II
Protection type	IP20
Operating temperature	-20°C to +50°C
Storage temperature	-20°C to +55°C
Input voltage	230V AC
Output signals	DALI - for control of DALI luminaires Bluetooth - for interaction with DARA App
Housing colour	White

### III ORDERING DATA - DARA L DEVICES

Type	Description
LTP-DARA01	DARA L Device track white
LTP-DARA02	DARA L Device track grey
LTP-DARA03	DARA L Device track black
LTP-DARA04	DARA L Device surface mounted white
LTP-DARA05	DARA L Device surface mounted black
LTP-DARA06	DARA L Device built-in white

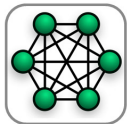
### III ORDERING DATA - ACCESSORIES

Type	Description
LTP-1070	Easyfit Wall Switch BLE Double Rocker
LTP-1071	Easyfit Wall Switch BLE Double Rocker US
LTP-1072*	DALI MSensor

\*Housings for LTP-1072 are available on request (surface mounted or track version)



**Personalized light**  
Individual light settings



**Mesh connectivity**  
High ranges possible



**Data security**  
Multiple security layers



**Compatibility**  
Works with any DALI devices (DT6 and DT8)



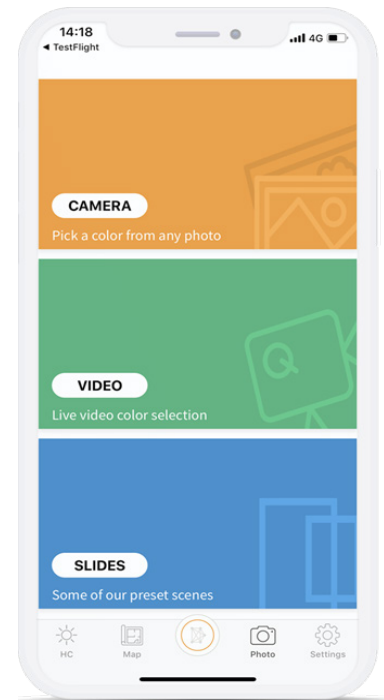
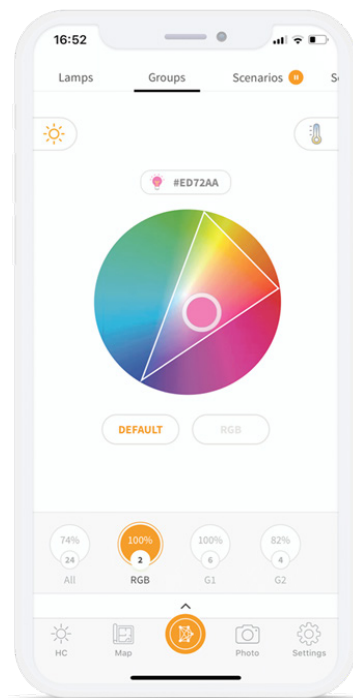
**Dynamic configuration**  
Setup, refresh, reset and expand network



**Modularity**  
One single or multiple Dara Devices in a Dara system



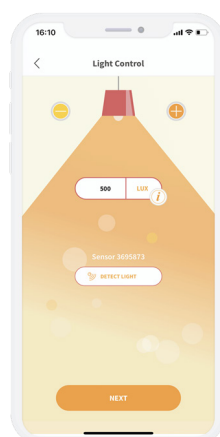
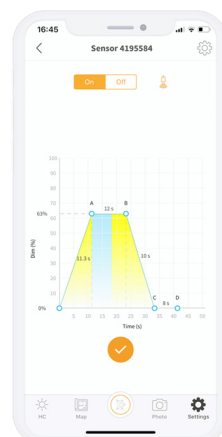
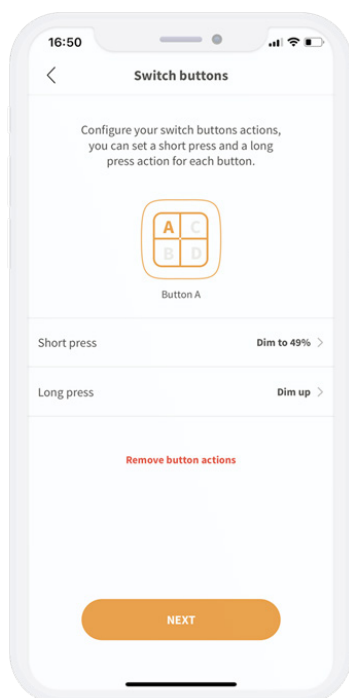
**Cloud solution**  
Management/intelligence layer on top



The features of the Dara Lighting App are designed for supporting the special and unique possibilities that come with the PI-LED technology. Nonetheless, Dara works with all DALI & DALI-2 luminaires (DT6 and DT8) and sensors so that compatibility between different DALI luminaires is ensured.

Dara, in combination with PI-LED, is the only light and control system with a fully implemented and intuitive HCL feature. The Dara Lighting App includes different daylight curves, taking circumstances like application type, season/date, geographic location and luminaires with direct and indirect light parts under consideration.

Accessories like DALI sensors and kinetic switches can be easily integrated into the Dara installation and are programmed over the Dara Lighting App. Since all settings done inside the Dara Lighting App are stored in the cloud, the current Dara network state and configuration is always available independent of the network user or a used mobile device. Furthermore, the Dara Web Dashboard provides a clear overview over the current network setup.



- Up to 10 users in a mesh
- Up to 16 groups in a mesh
- Up to 8 scenarios in a mesh
- Up to 16 light scenes in a mesh
- Firmware update for DARA L Devices via DARA Lighting App
- Network and user management
- Control of stand-alone and groups of luminaires and sensors
- Manual control: dimming, CCT, CIE-xy, RGB
- Color presets for various types of goods or areas
- Color picker or color enhancer from photo library, new photo or live camera
- Interaction with sensors for presence and light control
- Integration of Easyfit BLE switch (by EnOcean)
- Creating photo maps (controlling luminaires from a photo)
- Read-only access to DARA Web Dashboard for overview over DARA network setup