



QUICK-CONNECTION-SYSTEM (QCS)

Quick-Connection-System (QCS)

Quick Connection System (QCS) provides a quick and convenient way to connect LED engines and converters for refrigeration units.

QCS APPLICATIONS

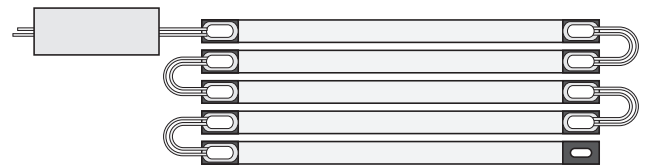
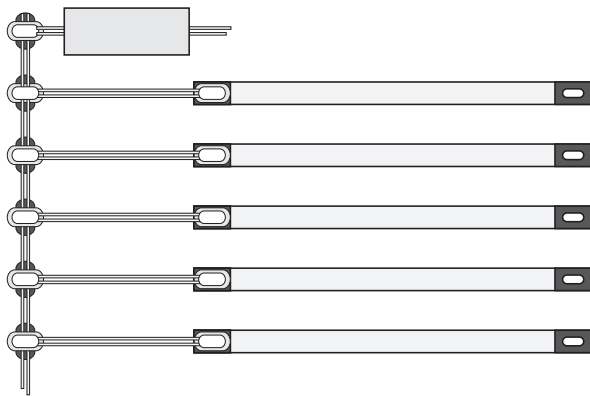
- Electrical connection of between engines and also between engines and converters

QCS HIGHLIGHTS

- Maximum flexibility for connecting devices
- Simple and convenient solution for a wide range of connection combinations
- Reverse polarity protection

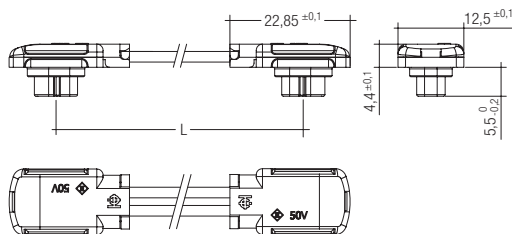
PROPERTIES OF QCS

- Electrical connection system
- QCS consists of power cables (Feeder Cable) and connecting cables (Bridges) of different lengths, plus distribution boxes (Feeder Link) und a Multiple Connector Line
- The LED engines are equipped with Quick-Connection-end caps for rapid connection



QCS | BRIDGES

- Bridge for connecting two linear LED engines via QCS
- Bridge for connecting a linear LED engine to a feeder link via QCS



ORDERING DATA – Bridges

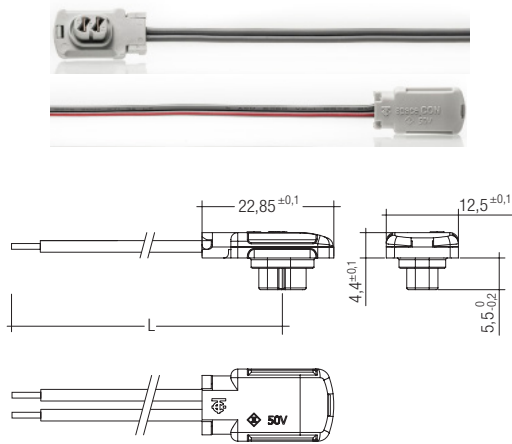
Length	Weight	Type	Art. Nr.
30 mm	0.004 kg	LED Bridge QCS 30 **	89601262
50 mm	0.004 kg	LED Bridge QCS 50 **	89601263
100 mm	0.005 kg	LED Bridge QCS 100 **	89601264
250 mm	0.007 kg	LED Bridge QCS 250 **	89601265
400 mm	0.009 kg	LED Bridge QCS 400 **	89601266
800 mm	0.016 kg	LED Bridge QCS 800 **	89601267
1,200 mm	0.022 kg	LED Bridge QCS 1200 *	89601268
2,000 mm	0.034 kg	LED Bridge QCS 2000 *	89601269

Packaging: * 25 pieces/carton, 400 pieces/pallet | ** 50 pieces/carton, 800 pieces/pallet
Also available in black.

RoHS

Quick-Connection-System (QCS)

QCS | FEEDER CABLE



- Feeder cable for connecting a linear LED engine to a converter via QCS

ORDERING DATA – Feeder Cable

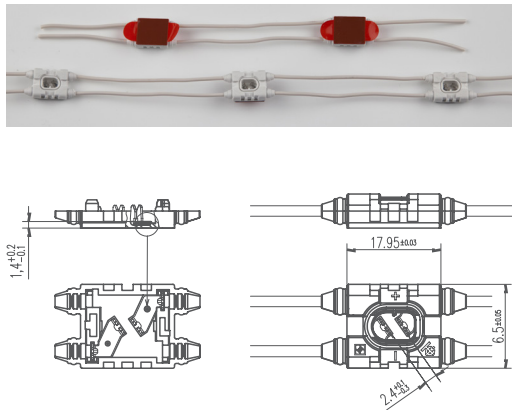
Length	Weight	Type	Art. Nr.
500 mm	0.009 kg	LED Feeder QCS 500 **	89601258
1.000 mm	0.017 kg	LED Feeder QCS 1000 **	89601259
1.500 mm	0.025 kg	LED Feeder QCS 1500 *	89601260
2.000 mm	0.033 kg	LED Feeder QCS 2000 *	89601261
4.000 mm	0.065 kg	LED Feeder QCS 4000 ***	89601601

Packaging:

* 25 pieces/carton, 400 pieces/pallet | ** 50 pieces/carton, 800 pieces/pallet | *** 10 pieces/carton
Also available in black.

RoHS

QCS | FEEDER LINK



- Flexible feeder link for connecting several linear LED engines to a converter
- Slots equipped with double-sided adhesive tape

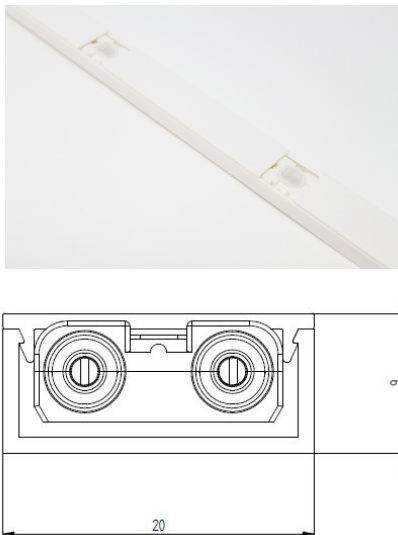
ORDERING DATA – Feeder Link

Length	Spacing	Type	Art. Nr.
10m	108 mm	LED Feeder Link QCS	88711762

Packaging: 1 roll corresponds to 10m with 92 slots

RoHS

QCS | MULTIPLE CONNECTOR LINE QCS



- Multiple Connector Line for connecting several linear LED engines to a converter

ORDERING DATA – Multiple Connector Line QCS

Length	Spacing	Type	Art. Nr.
1,0m	10cm	MULTIPLE CONNECTOR LINE QCS white 1,0m (10 plugs)	88167422

Packaging: 2 pieces/carton, 24 pieces/outer carton

RoHS

Quick-Connection-System (QCS)

III QCS | PROTECTION SET BLIND CAP



- Cover to protect QCS connectors

III ORDERING DATA – Blind Cap

Typ	Art. Nr.
LED PROTECTION QCS BLIND CAP	88167414

Packaging: 1 bag (holds 100 pieces)

RoHS

III QCS | PROTECTION SET END CAP



- End cap for feeder links

III BESTELLDATEN – End Cap

Typ	Art. Nr.
LED PROTECTION QCS END CAP	88167415

Packaging: 1 bag (holds 50 pieces)

RoHS