

PRODUCT DESCRIPTION

- Constant Voltage LED Power Supply
- Suitable for operation of PI-LED systems
- Sustained short-circuit current | overload protection | over temperature protection | open loop protection
- Very small, compact form factor



ORDERING DATA AND TECHNICAL DATA

Type	Description
LTP-1036	EVG Meanwell APV-16-24

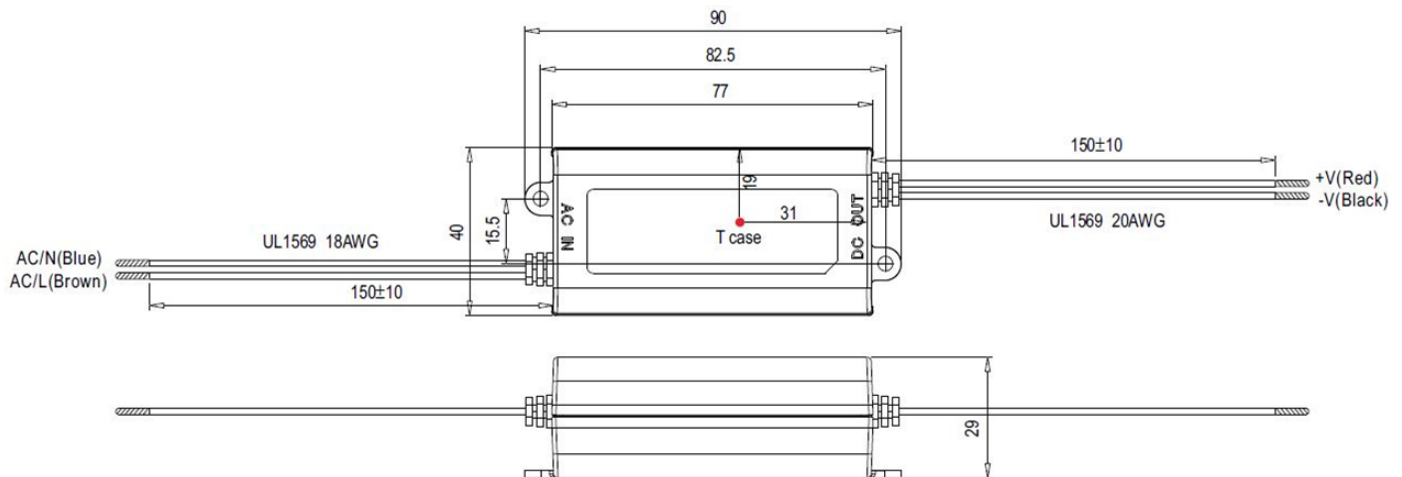
Output		
Voltage		24 V DC
Rated current		0.67 A
Rated power		16.08 W
Voltage tolerance		± 5 %
Ripple voltage		150 mV _{PP}
Startup time		1500 ms
Input		
Voltage		90 V AC to 264 V AC
Frequency range		47...63 Hz
Efficiency		typ. 83 %
Inrush current		max. 70 A @ 230 V AC
Other technical data		
Ambient temperature		-30°C to +70°C
Storage temperature		-40°C to +80°C
Max. case temperature		+70°C (measured at Tc point)
Withstand voltage		3.75 kV
Fulfilled standards, regulations and safety tests		Safety standards: UL8750 CSA C 22.2 Nr. 250.0-08 EN62384 EN61347-1 EN61347-2-13 BIS IS15885 EAC TP TC 004 design acc. to EN60950-1 EMC: EN55032 EN61000-3-2 Class A EN61000-3-3 EAC TP TC 020 EN55024 EN61000-4-2/3/4/5/6/8/11
Protection class and type		II / IP42
Lifetime		50,000 h (at case temperature 55°C)
Dimensions L x W x H		77 mm x 40 mm x 29 mm
Weight		100 g



Maximum load of automatic circuit breakers (FCB):

Product	Characteristic B 16A	Characteristic C 16A
LTP-1036	13	22

DRAWINGS AND DIMENSIONS - Size in mm



NOTES

In the case of overload or over temperature, the LED driver reduces independently the maximum output power. In conjunction with a PI-LED system, this may lead to a reduced functionality, malfunction or an automatic shut-down of the system. That protective function serves exclusively security reasons, extended life time and prevention against black out. Secondary switching of the power supply in conjunction with a PI-LED system is not permitted.