

PRODUCT DESCRIPTION

- Constant Voltage LED Power Supply
- Suitable for operation of PI-LED systems
- Sustained short-circuit current | overload protection | over temperature protection | open loop protection
- Compact form factor



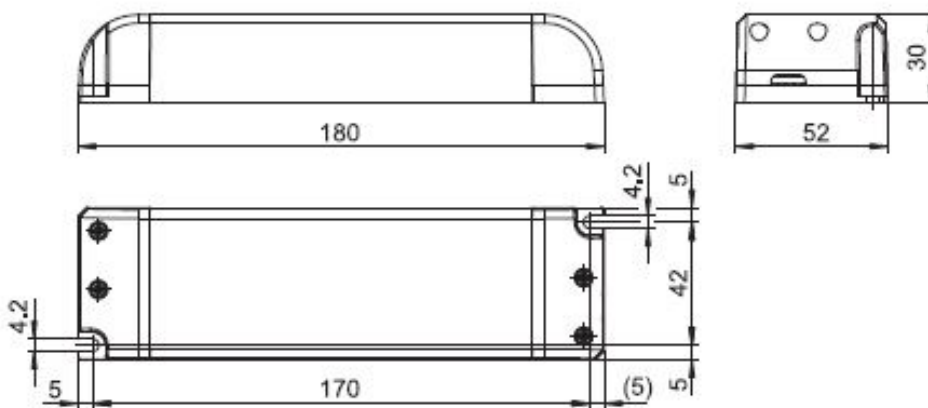
ORDERING DATA AND TECHNICAL DATA

Type	Description
LTP-1060	CONVERTER 75W 48V

Output	Voltage	48 V DC
	Rated current	1.563 A
	Rated power	75 W
	Output voltage tolerance	±3 %
Input	Voltage $U_f$	220 V AC to 240 V AC
	Frequency range	50...60 Hz
	Efficiency	89 % (at full load)
	Power factor	≥ 0.95
Other technical data	Ambient temperature	-15°C to +45°C
	Storage temperature	-40°C to +85°C
	Max. case temperature	+85°C (measured at Tc point)
	Protection class and type	II / IP20
	Lifetime	30,000 h (at Tc temperature 85°C) 50,000 h (at Tc temperature 75°C)
	Dimensions L x W x H	180 mm x 52 mm x 30 mm
	Weight	318 g



DRAWINGS AND DIMENSIONS - Size in mm



NOTES

In the case of overload or over temperature, the LED driver reduces independently the maximum output power. In conjunction with a PI-LED system, this may lead to a reduced functionality, malfunction or an automatic shut-down of the system. That protective function serves exclusively security reasons, extended life time and prevention against black out. Secondary switching of the power supply in conjunction with a PI-LED system is not permitted.