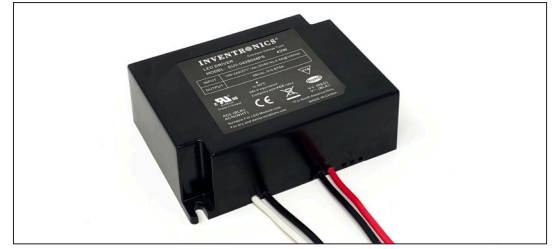


PRODUCT DESCRIPTION

- Constant Voltage LED Power Supply
- Suitable for operation of PI-LED systems
- Sustained short-circuit current | overload protection | over temperature protection | open loop protection
- Very compact form factor



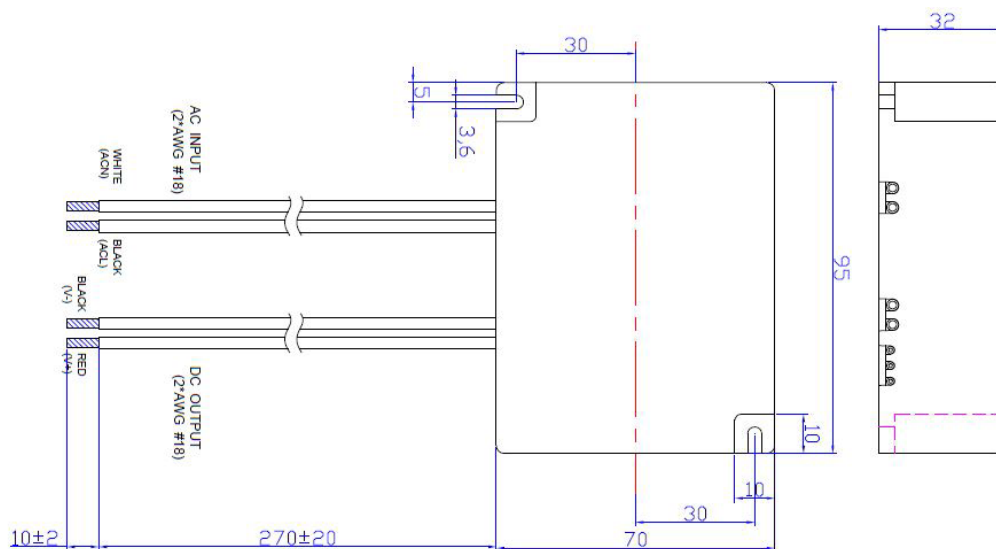
ORDERING DATA AND TECHNICAL DATA

Type	Description
LTP-1066	CONVERTER 42W 48V IP66

Output		
Voltage		48 V DC
Rated current		0.875 A
Rated power		42 W
Voltage tolerance		± 5 %
Ripple voltage		max. 4 V
Startup time		max. 500 ms
Input		
Voltage		90 V AC to 305 V AC
Frequency range		47...63 Hz
Efficiency		typ. 89 %
Inrush current		max. 70 A
Power factor		> 0.9 at maximum power
Other technical data		
Ambient temperature		-40°C to +50°C
Storage temperature		-40°C to +85°C
Max. case temperature		+90°C (measured at Tc point)
Fulfilled standards, regulations and safety tests		CE conformity (EN61347-1 EN61347-2-13) UL EMI standards: EN55015 EN61000-3-2 EN61000-3-3 FCC Part 15 EMS standards: EN61000-4-2/3/4/5/6/8/11 EN61547
Protection class and type		II / IP66
Lifetime		typ. 116,000 h (@120 V AC, 80% load, case temperature 60°C)
Dimensions L x W x H		95 mm x 70 mm x 32 mm
Weight		390 g



DRAWINGS AND DIMENSIONS - Size in mm



NOTES

In the case of overload or over temperature, the LED driver reduces independently the maximum output power. In conjunction with a PI-LED system, this may lead to a reduced functionality, malfunction or an automatic shut-down of the system. That protective function serves exclusively security reasons, extended life time and prevention against black out.

Secondary switching of the power supply in conjunction with a PI-LED system is not permitted.

All specifications refer to an ambient temperature of 25°C.