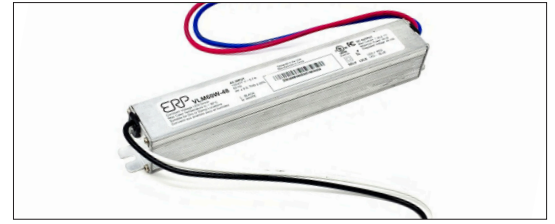


PRODUCT DESCRIPTION

- Constant Voltage LED Power Supply
- Suitable for operation of PI-LED systems
- Sustained short-circuit current | overload protection | over temperature protection | open loop protection
- Very slim form factor



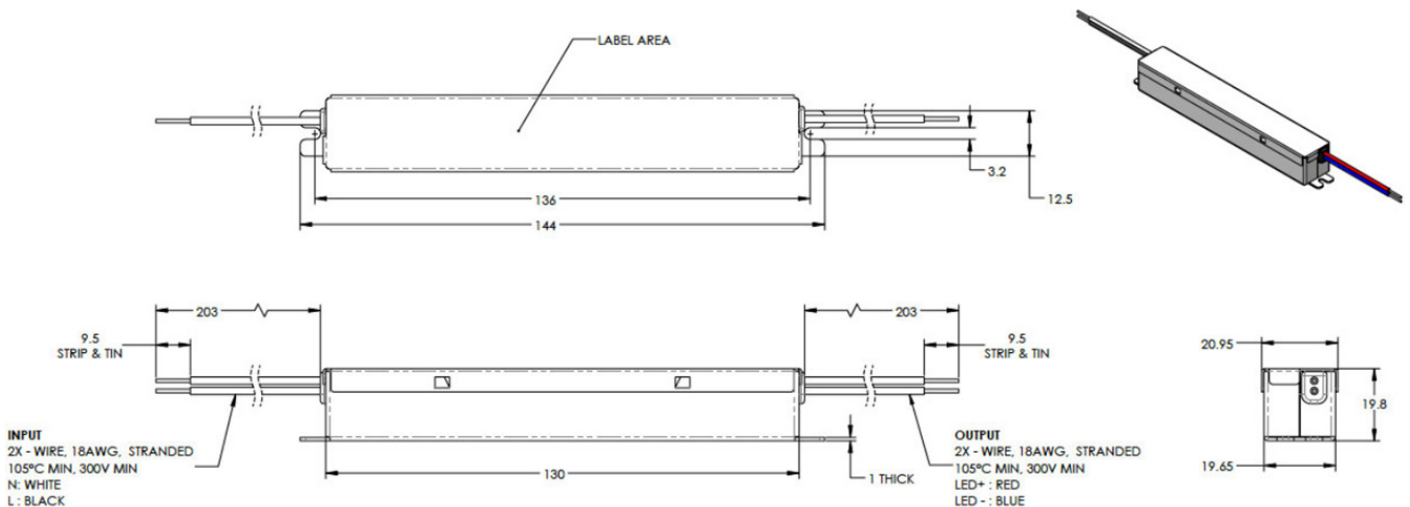
ORDERING DATA AND TECHNICAL DATA

Type	Description
LTP-1080	CONVERTER 60W 48V ERP

Output	Voltage	48 V DC
	Rated current	1.25 A
	Rated power	60 W
	Voltage tolerance	± 5%
	Ripple voltage	≤ 5%
	Startup time	500 ms
Input	Voltage U_f	230 V AC
	Frequency range	47...53 Hz
	Efficiency	up to 90 %
	Inrush current	according to NEMA-410
	Power factor	> 0.9
Other technical data	Ambient temperature	-20°C to +50°C
	Storage temperature	-40°C to +85°C
	Max. case temperature	+90°C (measured at Tc point)
	Withstand voltage	4.242 kV
	Fulfilled standards, regulations and safety tests	EMV regulation acc.to IEC61000 CE conformity acc. to IEC61347-2-13 ENEC certificate
	Protection class and type	II / IP20
	Lifetime	50,000 h (at 70°C case temperature)
	Dimensions L x W x H	130 mm x 19.65 mm x 19.8 mm



DRAWINGS AND DIMENSIONS - Size in mm



NOTES

In the case of overload or over temperature, the LED driver reduces independently the maximum output power. In conjunction with a PI-LED system, this may lead to a reduced functionality, malfunction or an automatic shut-down of the system. That protective function serves exclusively security reasons, extended life time and prevention against black out. Secondary switching of the power supply in conjunction with a PI-LED system is not permitted.

All data refer to an ambient temperature of 25°C.