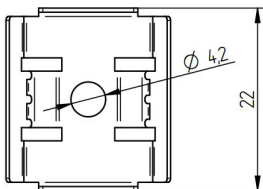
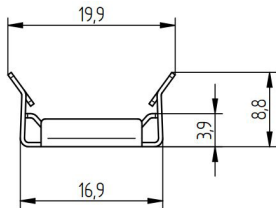
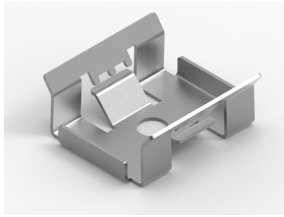


MOUNT | Fixing Plates

MOUNT | Fixing Plates

PLATE METAL 0°



- Mounting plate for all linear engines with PROFILE Z201 / Z22W / Z40 / Z208
- Material: Metal

TECHNICAL DATA – MOUNT | Plate Metal 0°

Ambient temperature finally installed -30 ... +80 °C

Ambient temperature during mounting the engine or the profile +10 ... +30 °C

Dimensions L x W x H 22 x 19,9 x 8,8 mm

Weight 0,002 kg

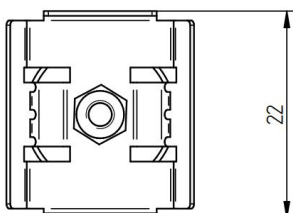
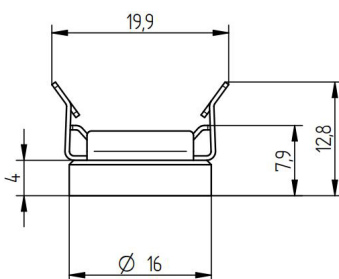
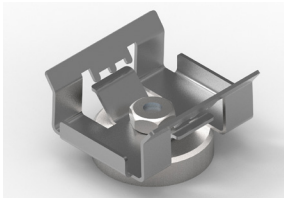
RoHS

ORDERING DATA – MOUNT | Plate Metal 0°

Type	Art. Nr.
LED FIXING PLATE METAL 0°	88167376

Packaging: 50 pieces/package, 1,000 pieces/carton

PLATE METAL 0° MAGNETIC



- Magnetic mounting plate for all linear engines with PROFILE Z201 / Z22W / Z40 / Z208
- Material: Metal

TECHNICAL DATA – MOUNT | Plate Metal 0° Magnetic

Ambient temperature finally installed -30 ... +80 °C

Ambient temperature during mounting the engine or the profile +10 ... +30 °C

Dimensions L x W x H 22 x 19,9 x 12,8 mm

Weight 0,009 kg

RoHS

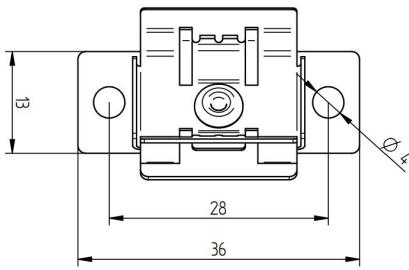
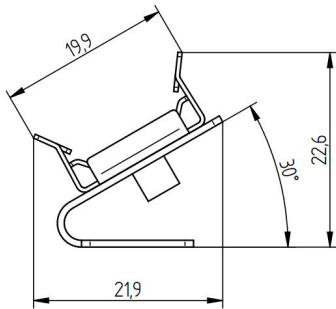
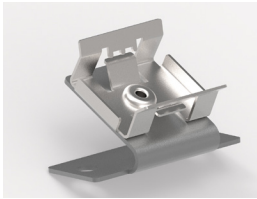
ORDERING DATA – MOUNT | Plate Metal 0° Magnetic

Type	Art. Nr.
LED FIXING PLATE METAL 0° Magnetic	88167382

Packaging: 50 pieces/package, 1,000 pieces/carton

MOUNT | Fixing Plates

PLATE METAL 30°



- Mounting plate for all linear engines with PROFILE Z201 / Z22W / Z40 / Z208
- Material: Metal

TECHNICAL DATA - MOUNT | Plate Metal 30°

Ambient temperature finally installed -30 ... +80 °C

Ambient temperature during mounting the engine or the profile +10 ... +30 °C

Dimensions L x W x H 36 x 21,9 x 22,6 mm

Weight 0,009 kg

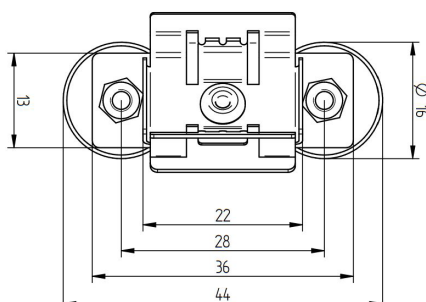
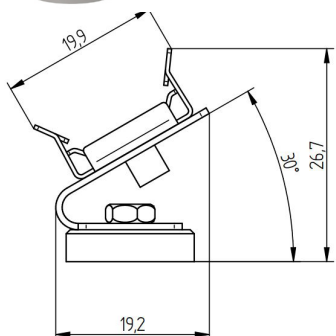
RoHS

ORDERING DATA - MOUNT | Plate Metal 30°

Type	Art. Nr.
LED METAL ANGLE ECS 30°	88167378

Packaging: 50 pieces/packaging, 1,000 pieces/carton

PLATE METAL 30° MAGNETIC



- Mounting plate for all linear engines with PROFILE Z201 / Z22W / Z40 / Z208
- Material: Metal

TECHNICAL DATA - MOUNT | Plate Metal 30° Magnetic

Ambient temperature finally installed -30 ... +80 °C

Ambient temperature during mounting the engine or the profile +10 ... +30 °C

Dimensions L x W x H 44 x 21,9 x 26,7 mm

Weight 0,023 kg

RoHS

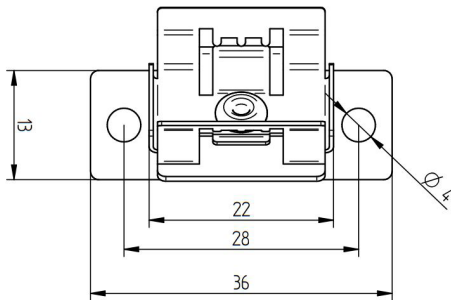
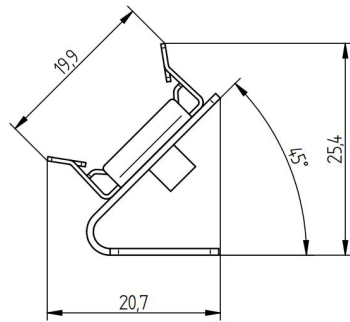
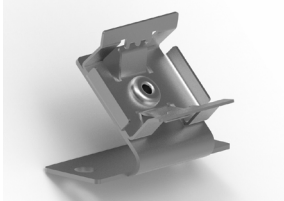
ORDERING DATA - MOUNT | Plate Metal 30° Magnetic

Type	Art. Nr.
LED MAGNETIC METAL ANGLE ECS 30°	88167386

Packaging: 50 pieces/packaging, 1,000 pieces/carton

MOUNT | Fixing Plates

PLATE METAL 45°



- Mounting plate for all linear engines with PROFILE Z201 / Z22W / Z40 / Z208
- Material: Metal

TECHNICAL DATA - MOUNT | Plate Metal 45°

Ambient temperature finally installed -30 ... +80 °C

Ambient temperature during mounting the engine or the profile +10 ... +30 °C

Dimensions L x W x H 36 x 20,7 x 25,4 mm

Weight 0,009 kg

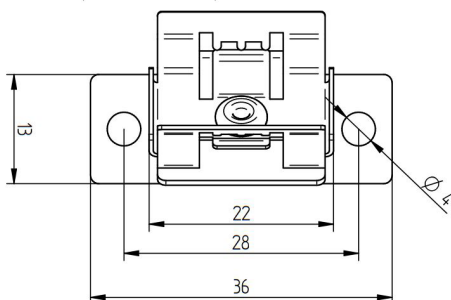
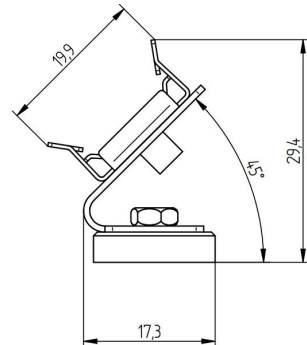
RoHS

ORDERING DATA - MOUNT | Plate Metal 45°

Type	Art. Nr.
LED METAL ANGLE ECS 45°	88167379

Packaging: 50 pieces/package, 1,000 pieces/carton

PLATE METAL 45° MAGNETIC



- Mounting plate for all linear engines with PROFILE Z201 / Z22W / Z40 / Z208
- Material: Metal

TECHNICAL DATA - MOUNT | Plate Metal 45° Magnetic

Ambient temperature finally installed -30 ... +80 °C

Ambient temperature during mounting the engine or the profile +10 ... +30 °C

Dimensions L x W x H 36 x 20,7 x 29,4 mm

Weight 0,023 kg

RoHS

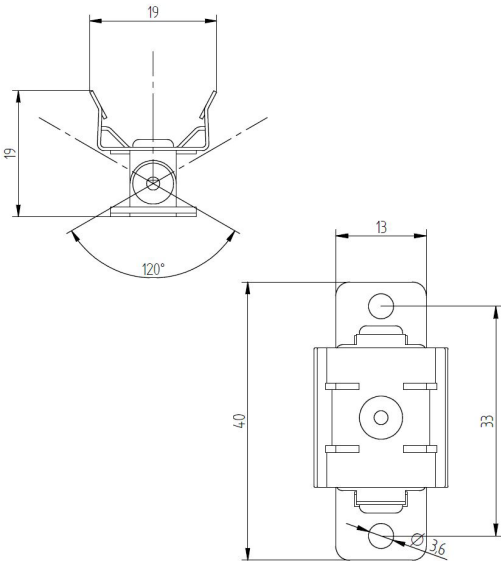
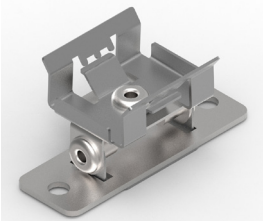
ORDERING DATA - MOUNT | Plate Metal 45° Magnetic

Type	Art. Nr.
LED MAGNETIC METAL ANGLE ECS 45°	88167387

Packaging: 50 pieces/package, 1,000 pieces/carton

MOUNT | Fixing Plates

PLATE METAL ADJUSTABLE



- Mounting plate for all linear engines with PROFILE Z201 / Z22W / Z40 / Z208
- Material: Metal
- Angle adjustable -60° bis $+60^\circ$

TECHNICAL DATA – MOUNT | Plate Metal adjustable

Ambient temperature finally installed $-30 \dots +80 \text{ }^\circ\text{C}$

Ambient temperature during mounting the engine or the profile $+10 \dots +30 \text{ }^\circ\text{C}$

Dimensions L x W x H $40 \times 19 \times 19 \text{ mm}$

Weight $0,010 \text{ kg}$

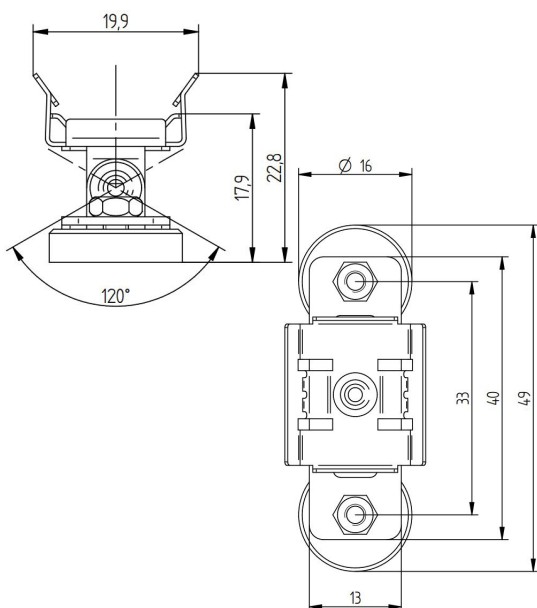
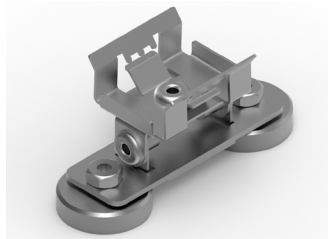
RoHS

ORDERING DATA – MOUNT | Plate Metal adjustable

Type	Art. Nr.
LED FIXING PLATE METAL - adjustable	88167384

Packaging: 1,000 pieces/carton

PLATE METAL ADJUSTABLE MAGNETIC



- Magnetic mounting plate for all linear engines with PROFILE Z201 / Z22W / Z40 / Z208
- Material: Metal
- Angle adjustable -60° bis $+60^\circ$

TECHNICAL DATA – MOUNT | Plate Metal adjustable magnetic

Ambient temperature finally installed $-30 \dots +80 \text{ }^\circ\text{C}$

Ambient temperature during mounting the engine or the profile $+10 \dots +30 \text{ }^\circ\text{C}$

Dimensions L x W x H $49 \times 19,9 \times 22,8 \text{ mm}$

Weight $0,024 \text{ kg}$

RoHS

ORDERING DATA – MOUNT | Plate Metal adjustable magnetic

Type	Art. Nr.
LED MAGNETIC PLATE METAL - adjustable	88167385

Packaging: 100 pieces/carton

MOUNT | Fixing Plates

SHelf HOLDER



- Use: Below lower shelves
- Material: Plastic
- Angle: Preconfigured at 30° for optimal illumination of the goods on show below
- Fixing: Thanks to the support on the lower shelf display area, simple to install using the groove provided on the outer sides of the shelf holders (caution: left and right versions of the shelf holders)

TECHNICAL DATA – SHELF HOLDER

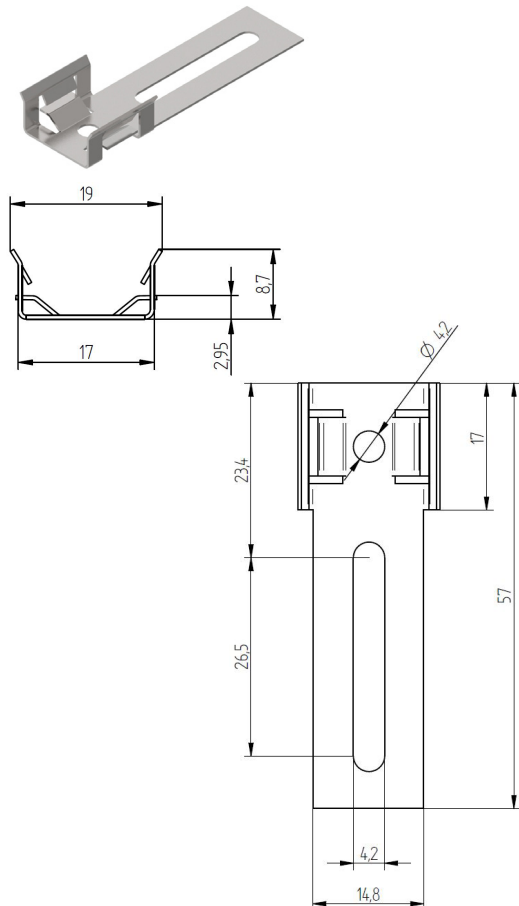
Ambient temperature when fitted	-30 ... +30 °C
Ambient temperature when installing the light or profile	+10 ... +30 °C
Dimensions L x W x H	21 x 3.5 x 1.5 mm / complete shelf holder 21 x 8.5 x 1.5 mm
Weight	24 g (weight per pair 48g)

RoHS

ORDERING DATA – SHELF HOLDER

Type	Art. Nr.
SHELF HOLDERS - left and right part	88167377

PLATE METAL 0° WITH LONGHOLE



- Mounting plate for all linear engines with PROFILE Z201 / Z22W / Z40 / Z208
- With an additional mounting plate
- Material: Metal

TECHNICAL DATA – MOUNT | Plate Metal 0° with longhole

Ambient temperature finally installed	-30 ... +80 °C
Ambient temperature during mounting the engine or the profile	+10 ... +30 °C
Dimensions L x W x H	57 x 19 x 8,7mm
Weight	0,005 kg

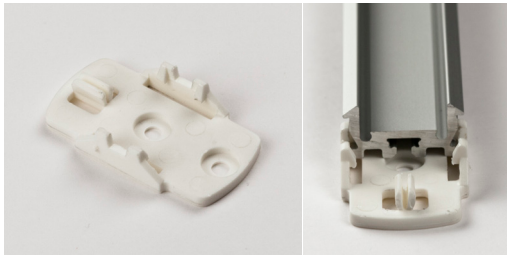
RoHS

ORDERING DATA – MOUNT | Plate Metal 0° with longhole

Type	Art. Nr.
LED FIXING PLATE METAL 0° with longhole	88167389
Packaging: 250 pieces/carton	

MOUNT | Fixing Plates

PLATE ECS 0° WITH STUDS

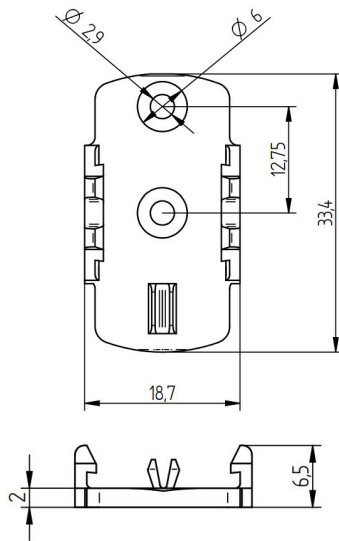


- Mounting plate for all linear engines with PROFILE Z201 / Z22W / Z40 / Z208
- With studs to prevent sliding in the longitudinal direction
- Material: PBT
- Colour: white

TECHNICAL DATA

Ambient temperature finally installed	-30 ... +80 °C
Ambient temperature during mounting the engine or the profile	+10 ... +30 °C
Dimensions L x W x H	33,4 x 18,7 x 6,5 mm
Weight	0.002 kg

RoHS

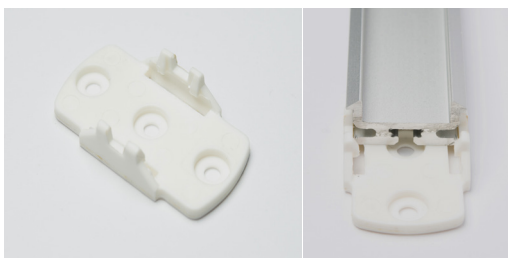


ORDERING DATA - MOUNT | Plate ECS 0°

Type	Art. Nr.
LED FIXING PLATE ECS 0°	88166859

Packaging: 100 pieces/package, 2,000 pieces/carton

PLATE ECS 0° WITHOUT STUDS

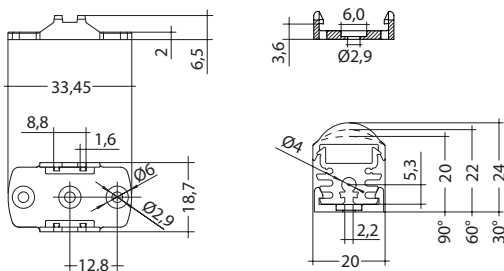


- Mounting plate for all linear engines with PROFILE Z201 / Z22W / Z40 / Z208
- Material: PBT
- Colour: white

TECHNICAL DATA

Ambient temperature finally installed	-30 ... +80 °C
Ambient temperature during mounting the engine or the profile	+10 ... +30 °C
Dimensions L x W x H	33.45 x 18.7 x 6.5 mm
Weight	0.002 kg

RoHS



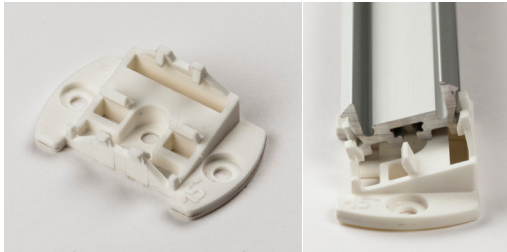
ORDERING DATA - MOUNT | Plate ECS 0°

Type	Art. Nr.
LED Z161 FIXING PLATE ECS 0°	88712147

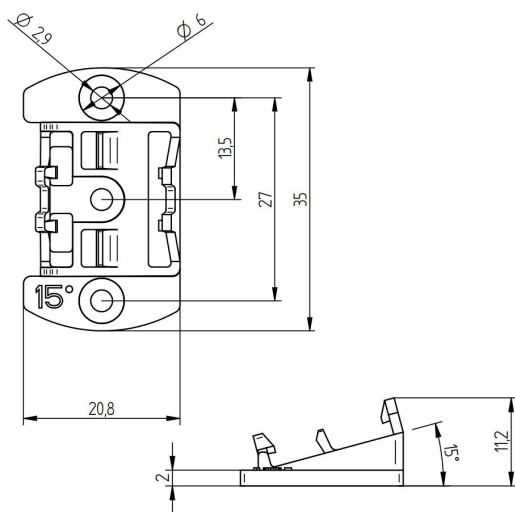
Packaging: 100 pieces/package, 2,000 pieces/carton

MOUNT | Fixing Plates

PLATE ECS 15°



- Mounting plate for all linear engines with PROFILE Z201 / Z22W / Z40 / Z208
- With studs to prevent sliding in the longitudinal direction
- Material: PBT
- Colour: white



TECHNICAL DATA

Ambient temperature finally installed	-30 ... +80 °C
Ambient temperature during mounting the engine or the profile	+10 ... +30 °C
Dimensions L x W x H	35 x 20,8 x 11,2 mm
Weight	0.002 kg

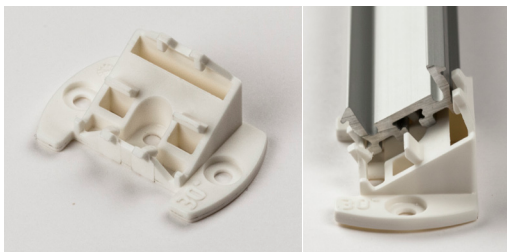
RoHS

ORDERING DATA - MOUNT | Plate ECS 15°

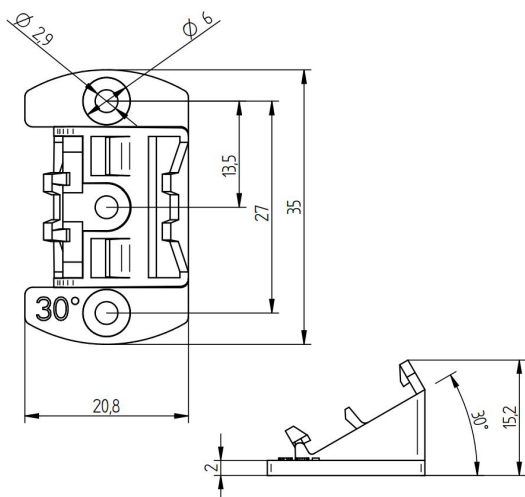
Type	Art. Nr.
LED FIXING PLATE ECS 15°	88167372

Packaging: 50 pieces/packaging, 1,000 pieces/carton

PLATE ECS 30°



- Mounting plate for all linear engines with PROFILE Z201 / Z22W / Z40 / Z208
- With studs to prevent sliding in the longitudinal direction
- Material: PBT
- Colour: white



TECHNICAL DATA

Ambient temperature finally installed	-30 ... +80 °C
Ambient temperature during mounting the engine or the profile	+10 ... +30 °C
Dimensions L x W x H	35 x 20,8 x 15,2 mm
Weight	0.002 kg

RoHS

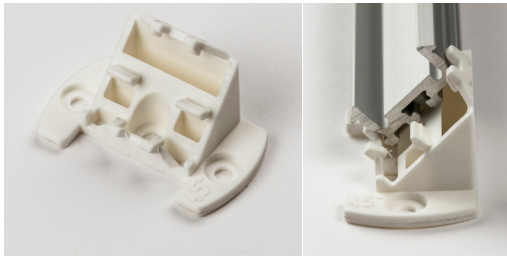
ORDERING DATA - MOUNT | Plate ECS 30°

Type	Art. Nr.
LED FIXING PLATE ECS 30°	88167373

Packaging: 50 pieces/packaging, 1,000 pieces/carton

MOUNT | Fixing Plates

PLATE ECS 45°



- Mounting plate for all linear engines with PROFILE Z201 / Z22W / Z40 / Z208
- With studs to prevent sliding in the longitudinal direction
- Material: PBT
- Colour: white

TECHNICAL DATA

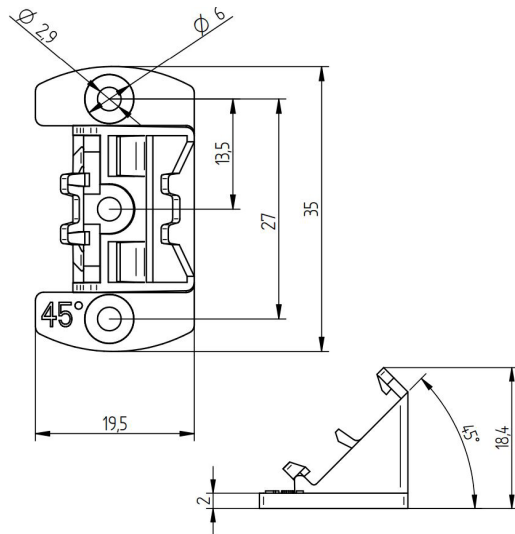
Ambient temperature finally installed -30 ... +80 °C

Ambient temperature during mounting the engine or the profile +10 ... +30 °C

Dimensions L x W x H 35 x 19,5 x 18,4 mm

Weight 0.002 kg

RoHS

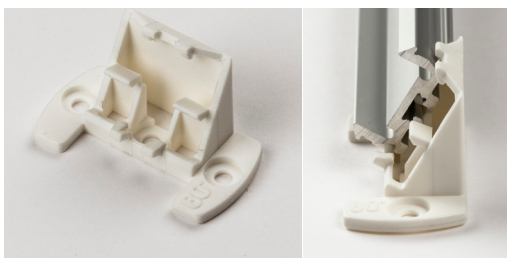


ORDERING DATA – MOUNT | Plate ECS 45°

Type	Art. Nr.
LED FIXING PLATE ECS 45°	88167374

Packaging: 50 pieces/carton, 1,000 pieces/carton

PLATE ECS 60°



- Mounting plate for all linear engines with PROFILE Z201 / Z22W / Z40 / Z208
- With studs to prevent sliding in the longitudinal direction
- Material: PBT
- Colour: white

TECHNICAL DATA

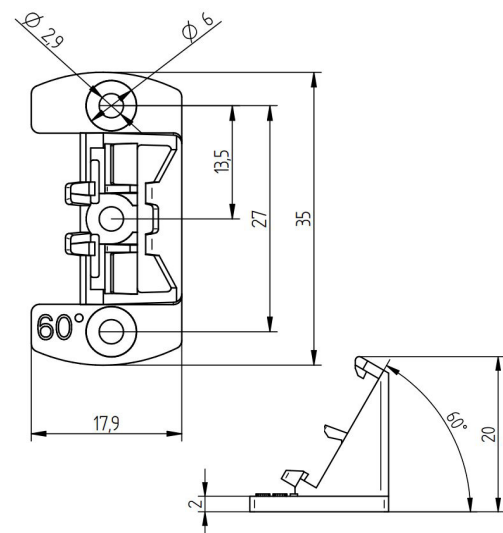
Ambient temperature finally installed -30 ... +80 °C

Ambient temperature during mounting the engine or the profile +10 ... +30 °C

Dimensions L x W x H 35 x 17,9 x 20,1 mm

Weight 0.002 kg

RoHS



ORDERING DATA – MOUNT | Plate ECS 60°

Type	Art. Nr.
LED FIXING PLATE ECS 60°	88167375

Packaging: 50 pieces/packaging, 1,000 pieces/carton