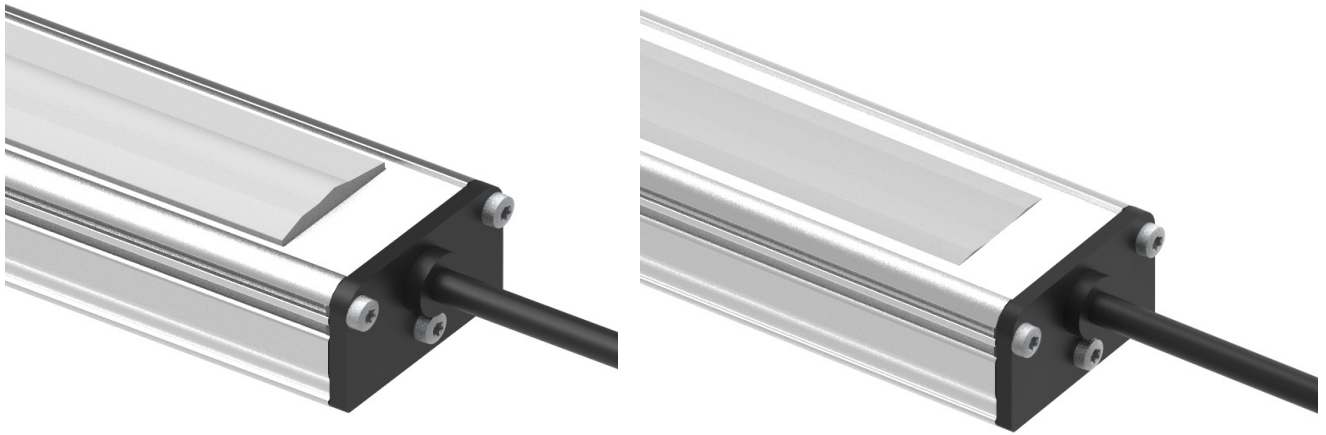


LUMITECH DATASHEET - Architectural Line IP67



PRODUCT DESCRIPTION

- Highly efficient architectural lighting
- Available in a variety of light colours & intensities
- Protection class IP67 - suitable for outdoor use
- Ready-to-connect solution, as a single luminaire, or as a luminaire for serial wiring
- High performance due to perfect thermal management
- Excellent illumination due to use of innovative linear optics
- SELV
- Easy mounting by use of mounting plate & mounting bracket
- Heat sink made of anodised, extruded aluminium
- Sustainable protection against humidity and corrosion by sealing of LED modules
- End caps made of ABS
- Lens made of PMMA
- Dimmable

TECHNICAL DATA

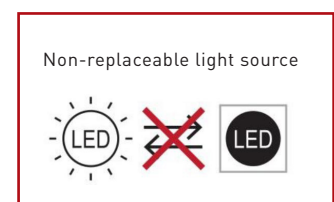
Supply voltage	24 VDC
Ambient temperature t_a	-30 ... +55 °C
Max. surface temperature on profile t_c	70 °C
Type of protection	IP67
Protection class	III
Risk group (EN 62471:2008)	1



GLARE LIMITATION OF STRAY LIGHT

Luminous intensity class G3

Gamma	Cd/klm measured	EN 13201-2
70	74	-
80	23	100
90	1,4	20
>90	0	-



LUMITECH DATASHEET - Architectural Line IP67

TECHNICAL DATA | ORDER DATA

Art. Nr.	Type*	Design*	Length luminaire	No. of LED modules	Supply	Current	Power 80mA / 120mA	CRI
Architectural Line IP67								
91461xxx	LED LE180 xx 1L14-2 24V/yymA IP67 x NB-ASY	C / E	180mm	1	24V DC	80mA / 120mA	1,9W / 2,9W	≥90
91461xxx	LED LE180 xx 1L14-2 24V/yymA IP67 x BW	C / E	180mm	1	24V DC	80mA / 120mA	1,9W / 2,9W	≥90
91461xxx	LED LE321 xx 2L14-2 24V/yymA IP67 x NB-ASY	C / E	321mm	2	24V DC	80mA / 120mA	3,8W / 5,8W	≥90
91461xxx	LED LE321 xx 2L14-2 24V/yymA IP67 x BW	C / E	321mm	2	24V DC	80mA / 120mA	3,8W / 5,8W	≥90
91461xxx	LED LE462 xx 3L14-2 24V/yymA IP67 x NB-ASY	C / E	462mm	3	24V DC	80mA / 120mA	5,8W / 8,6W	≥90
91461xxx	LED LE462 xx 3L14-2 24V/yymA IP67 x BW	C / E	462mm	3	24V DC	80mA / 120mA	5,8W / 8,6W	≥90
91461xxx	LED LE603 xx 4L14-2 24V/yymA IP67 x NB-ASY	C / E	603mm	4	24V DC	80mA / 120mA	7,7W / 11,5W	≥90
91461xxx	LED LE603 xx 4L14-2 24V/yymA IP67 x BW	C / E	603mm	4	24V DC	80mA / 120mA	7,7W / 11,5W	≥90
91461xxx	LED LE744 xx 5L14-2 24V/yymA IP67 x NB-ASY	C / E	744mm	5	24V DC	80mA / 120mA	9,6W / 14,4W	≥90
91461xxx	LED LE744 xx 5L14-2 24V/yymA IP67 x BW	C / E	744mm	5	24V DC	80mA / 120mA	9,6W / 14,4W	≥90
91461xxx	LED LE885 xx 6L14-2 24V/yymA IP67 x NB-ASY	C / E	885mm	6	24V DC	80mA / 120mA	11,5W / 17,3W	≥90
91461xxx	LED LE885 xx 6L14-2 24V/yymA IP67 x BW	C / E	885mm	6	24V DC	80mA / 120mA	11,5W / 17,3W	≥90
91461xxx	LED LE1026 xx 7L14-2 24V/yymA IP67 x NB-ASY	C / E	1026mm	7	24V DC	80mA / 120mA	13,4W / 20,2W	≥90
91461xxx	LED LE1026 xx 7L14-2 24V/yymA IP67 x BW	C / E	1026mm	7	24V DC	80mA / 120mA	13,4W / 20,2W	≥90
91461xxx	LED LE1167 xx 8L14-2 24V/yymA IP67 x NB-ASY	C / E	1167mm	8	24V DC	80mA / 120mA	15,4W / 23,0W	≥90
91461xxx	LED LE1167 xx 8L14-2 24V/yymA IP67 x BW	C / E	1167mm	8	24V DC	80mA / 120mA	15,4W / 23,0W	≥90
91461xxx	LED LE1308 xx 9L14-2 24V/yymA IP67 x NB-ASY	C / E	1308mm	9	24V DC	80mA / 120mA	17,3W / 25,9W	≥90
91461xxx	LED LE1308 xx 9L14-2 24V/yymA IP67 x BW	C / E	1308mm	9	24V DC	80mA / 120mA	17,3W / 25,9W	≥90
91461xxx	LED LE1449 xx 10L14-2 24V/yymA IP67 x NB-ASY	C / E	1449mm	10	24V DC	80mA / 120mA	19,2W / 28,8W	≥90
91461xxx	LED LE1449 xx 10L14-2 24V/yymA IP67 x BW	C / E	1449mm	10	24V DC	80mA / 120mA	19,2W / 28,8W	≥90
91461xxx	LED LE1590 xx 11L14-2 24V/yymA IP67 x NB-ASY	C / E	1590mm	11	24V DC	80mA / 120mA	21,1W / 31,7W	≥90
91461xxx	LED LE1590 xx 11L14-2 24V/yymA IP67 x BW	C / E	1590mm	11	24V DC	80mA / 120mA	21,1W / 31,7W	≥90
91461xxx	LED LE1731 xx 12L14-2 24V/yymA IP67 x NB-ASY	C / E	1731mm	12	24V DC	80mA / 120mA	23,0W / 34,6W	≥90
91461xxx	LED LE1731 xx 12L14-2 24V/yymA IP67 x BW	C / E	1731mm	12	24V DC	80mA / 120mA	23,0W / 34,6W	≥90
91461xxx	LED LE1872 xx 13L14-2 24V/yymA IP67 x NB-ASY	C / E	1872mm	13	24V DC	80mA / 120mA	25,0W / 37,4W	≥90
91461xxx	LED LE1872 xx 13L14-2 24V/yymA IP67 x BW	C / E	1872mm	13	24V DC	80mA / 120mA	25,0W / 37,4W	≥90
91461xxx	LED LE2013 xx 14L14-2 24V/yymA IP67 x NB-ASY	C / E	2013mm	14	24V DC	80mA / 120mA	26,9W / 40,3W	≥90
91461xxx	LED LE2013 xx 14L14-2 24V/yymA IP67 x BW	C / E	2013mm	14	24V DC	80mA / 120mA	26,9W / 40,3W	≥90

Packaging: 6 pieces/carton, 180 pieces/pallet

- All typical values for Ta=25°C +/- 2°C
- Luminous flux min. value = typ. value - 20%
- Tolerance mechanical dimensions +/- 1mm
- Tolerance electrical data +/- 15%
- Tolerance optical data for CW,WW & NW +/- 15% (LED Modul @ 60mA string current)
- Tolerance optical data for PC, BP +/- 15% (LED Modul @ 100mA string current)
- Tolerance min. value CRI -1

*xx = light color (see color code on page 3)

*yy = current supply 80mA or 120mA (see luminous flux table on page 3)

*x = Version:

C = cable and connector on both sides (male/female) for serial wiring
E = one-sided cable (plug) - for single luminaire, or end luminaire

*BW = Batwing

*NB-ASY = Narrow Beam asym.

ENERGY EFFICIENT CLASS - LIGHT SOURCE

Current [mA]	CW	NW	WW	PC	BP
80mA	E	E	F	F	F
120mA	E	E	F	F	F

LUMITECH DATASHEET - Architectural Line IP67

COLOURS & LIGHT OUTPUT

No. of LED modules	Length luminaire	Light output				
		5000K	4000K	3000K	2700K	2400K
Current		80mA / 120mA	80mA / 120mA	80mA / 120mA	80mA / 120mA	80mA / 120mA
1	180mm	205lm / 286lm	206lm / 292lm	186lm / 263lm	182lm / 257lm	193lm / 286lm
2	321mm	409lm / 572lm	412lm / 585lm	372lm / 525lm	364lm / 514lm	386lm / 573lm
3	462mm	614lm / 858lm	618lm / 877lm	558lm / 788lm	546lm / 771lm	579lm / 859lm
4	603mm	819lm / 1143lm	824lm / 1170lm	744lm / 1051lm	728lm / 1028lm	772lm / 1146lm
5	744mm	1024lm / 1429lm	1030lm / 1462lm	930lm / 1313lm	910lm / 1286lm	966lm / 1432lm
6	885mm	1228lm / 1715lm	1236lm / 1755lm	1115lm / 1576lm	1092lm / 1543lm	1159lm / 1718lm
7	1026mm	1433lm / 2001lm	1442lm / 2047lm	1301lm / 1839lm	1274lm / 1800lm	1352lm / 2005lm
8	1167mm	1638lm / 2287lm	1648lm / 2340lm	1487lm / 2102lm	1456lm / 2057lm	1545lm / 2291lm
9	1308mm	1842lm / 2573lm	1854lm / 2632lm	1673lm / 2364lm	1638lm / 2314lm	1738lm / 2577lm
10	1449mm	2047lm / 2858lm	2060lm / 2925lm	1859lm / 2627lm	1820lm / 2571lm	1931lm / 2864lm
11	1590mm	2252lm / 3144lm	2267lm / 3217lm	2045lm / 2890lm	2001lm / 2828lm	2124lm / 3150lm
12	1731mm	2457lm / 3430lm	2473lm / 3510lm	2231lm / 3152lm	2183lm / 3085lm	2317lm / 3437lm
13	1872mm	2661lm / 3716lm	2679lm / 3802lm	2417lm / 3415lm	2365lm / 3342lm	2510lm / 3723lm
14	2013mm	2866lm / 4002lm	2885lm / 4095lm	2603lm / 3678lm	2547lm / 3600lm	2704lm / 4009lm

COLOUR KEY

Code	CW	NW	WW	PC	BP
CCT	5000K	4000K	3000K	2700K	2400K

CONVERTER

Output voltage	24 VDC +10 %
Power LED driver	= sum of typical power of light engines + 20 %
Daisy chaining (luminaires)	max. 65 LED modules „L14-2“ at 80mA max. 45 LED modules „L14-2“ at 120mA

Electrical supply/choice of LED driver

Architectural Line products from Lumitech are not protected against overvoltages, overcurrents, overloads or short-circuit currents. Reliable and safe operation of the Architectural Line can only be ensured by using LED drivers that comply with the relevant regulations. When selecting the LED driver, the following protective functions should be ensured:

- SELV
- Short-circuit protection
- Overload protection
- Overtemperature protection
- Protection against environmental influences

The Architectural Line must be operated on 24V constant voltage LED drivers.

Operation on a constant current LED driver will result in irreversible damage to the luminaire. Reverse polarity can damage the luminaire.

LUMITECH DATASHEET - Architectural Line IP67

CROSS SECTION & DESIGNS

Batwing

NB-ASY

Plug connection side

Socket for serial wiring of several luminaires

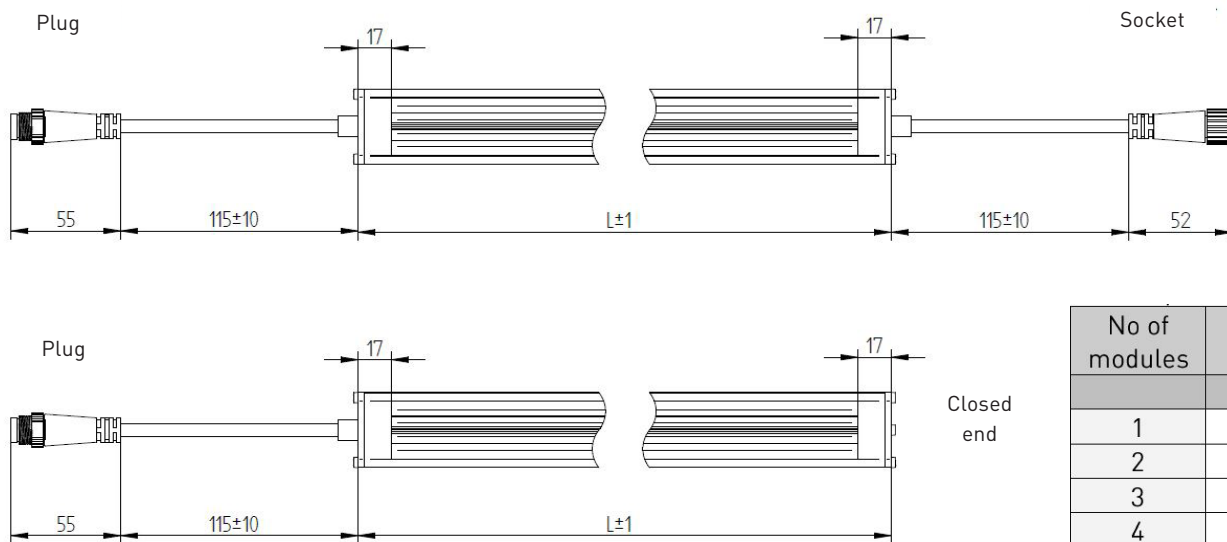
Closed end
for single luminaires or end-luminaire

Batwing

Closed end
for single luminaires or end-luminaire

NB-ASY

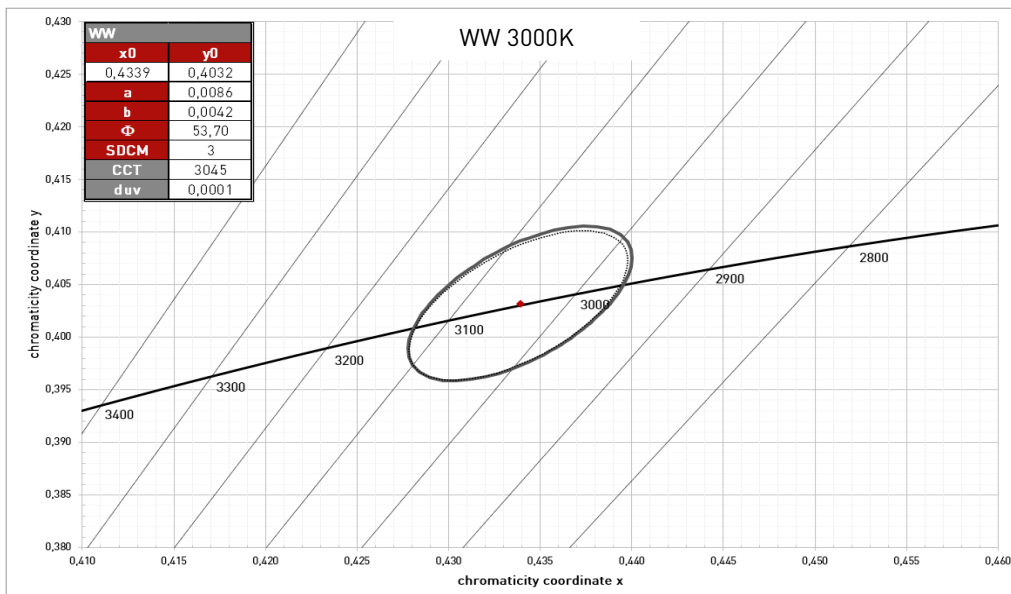
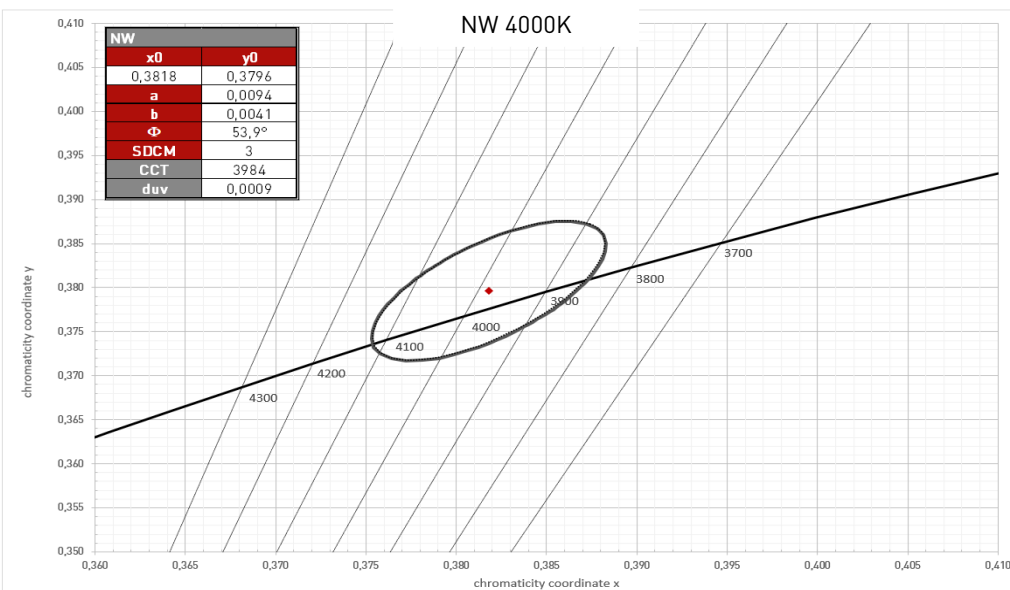
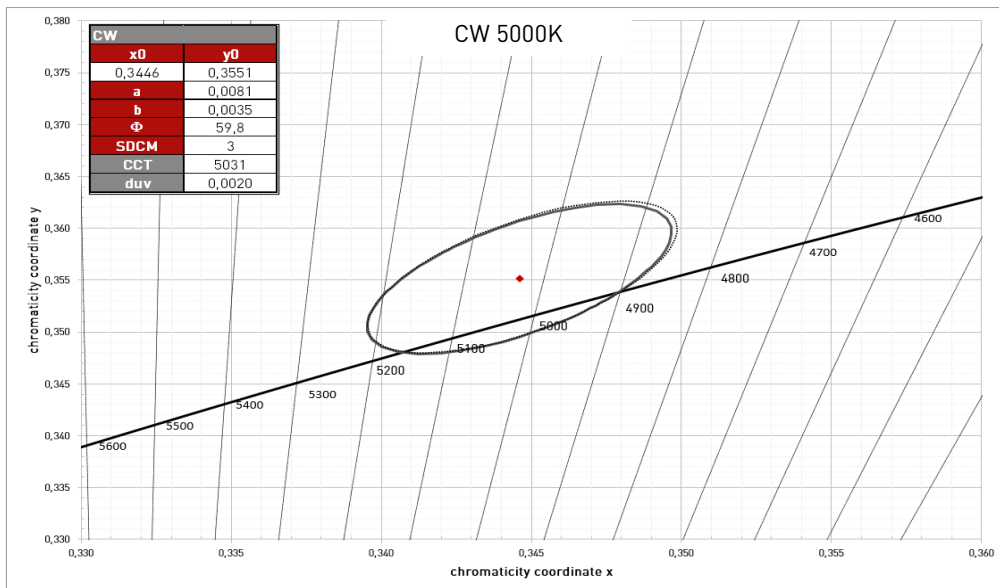
DIMENSIONS & LENGTHS



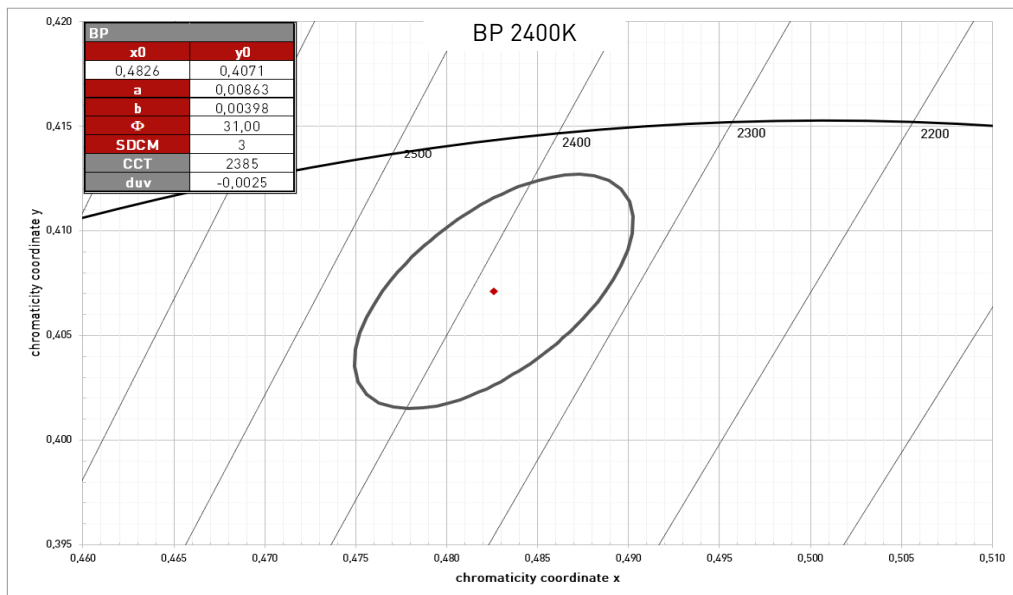
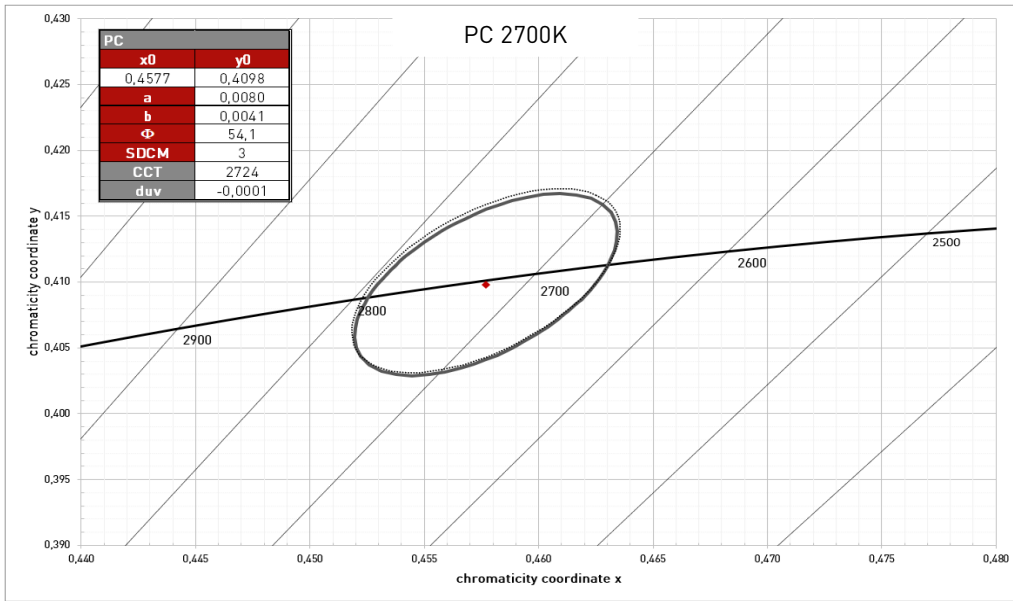
No of modules	Total Length [mm]
1	180
2	321
3	462
4	603
5	744
6	885
7	1026
8	1167
9	1308
10	1449
11	1590
12	1731
13	1872
14	2013

LUMITECH DATASHEET - Architectural Line IP67

COORDINATES AND TOLERANCES - LED MODULES



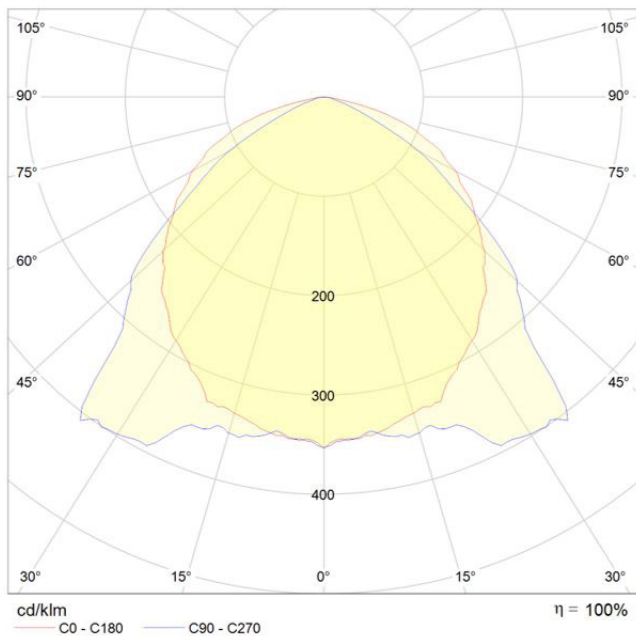
LUMITECH DATASHEET - Architectural Line IP67



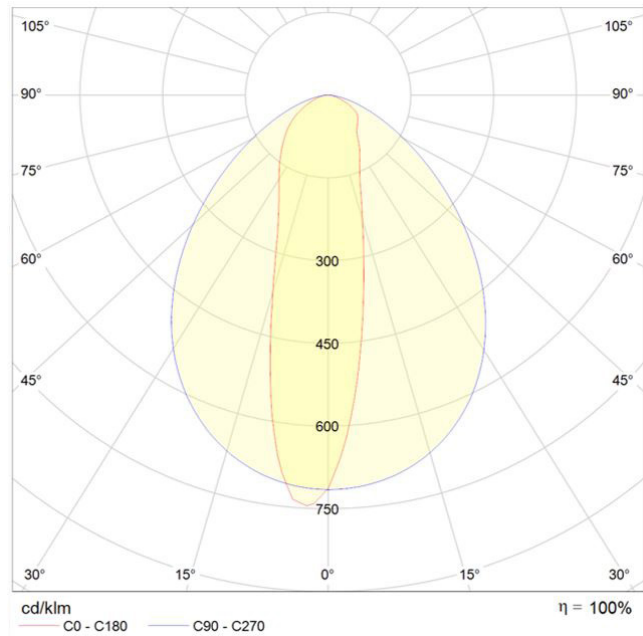
LUMITECH DATASHEET - Architectural Line IP67

OPTICAL PROPERTIES - LUMINAIRE

Batwing



NB-ASY



LIFETIME

60.000h (L70 B10)

STANDARDS

- EN 60598-1
- EN 60598-2-1
- EN 62031
- EN 62471

THERMAL BEHAVIOUR

Operating temperature (operation, no defects)	ta	-30 ... +55 °C
Storage temperature	ts	-40 ... +80 °C
Temperature cooling profile ¹²	tc	-30 ... +70 °C

¹ Values apply to operation at 100% output, natural convection.

² If the maximum temperature limits are exceeded, the lifetime of the module will be greatly reduced or the module may be destroyed. The tc point temperature at the profile of the light engine should be measured in the thermally stable state and under operating conditions by means of a temperature sensor or temperature-sensitive sticker (available for example from conrad.com or rs-components.com) in accordance with EN60598-1. The entire profile can be used as the tc point.



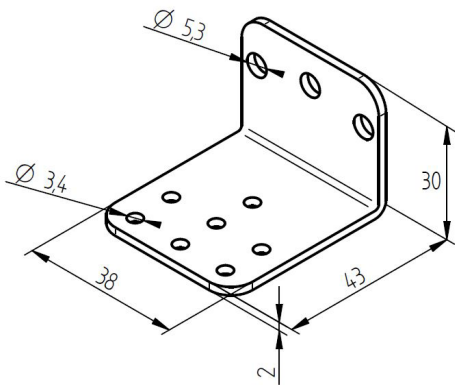
Note

- Installation should only be conducted by a licensed electrician.
- Reversing the polarity can damage the product!
- Make sure the converter has been switched off prior to connecting the light engine. If this is not observed, the light engine may be damaged!
- Connection or operation is only permitted when using the specified converters. Higher voltages result in damage to or failure of the light engine.

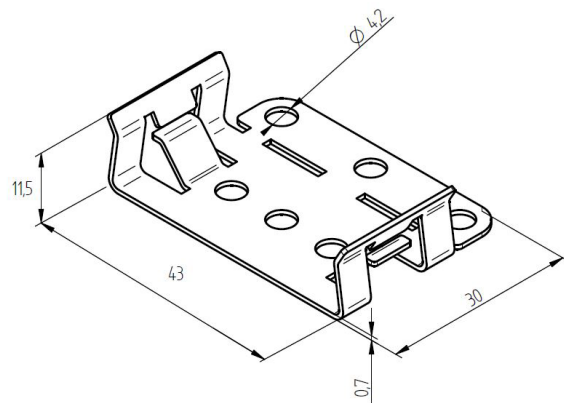
LUMITECH DATASHEET - Architectural Line IP67

ACCESSORIES - MOUNTING AND CONNECTION CABLE

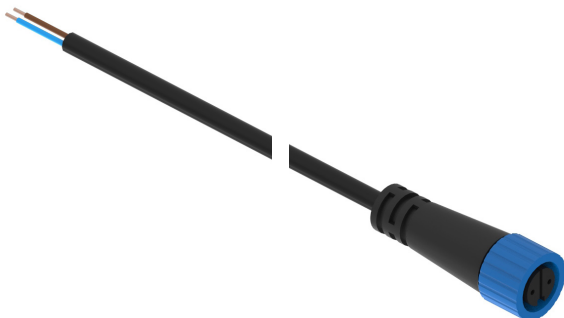
Assembly Bracket (screwable M3)



Fixing Plate



**Connecting cable -
5m with open ends and female plug**



ORDER DATA

ZM00015	ASSEMBLY BRACKET screwable M3
ZM00014	FIXING PLATE METAL pluggable 0,7mm
ZE00140	SUPPLY LINE 2x1,5mm2/5m female/open strands