

LENS | 0200-2 LINEAR

LENS | O200-2 LINEAR



PRODUCT DESCRIPTION

- Linear lens for PROFILE Z200-2*, Z201-2*, Z22W-2 and Z40-1
- For use exclusively with LED modules
- No tools required for installing
- Beam angle 15° (frosted only), 30°, 60°, 90°
- Uniform distribution of light
- Material: PMMA
- UV-resistant

* Attention: profile can not be used with 15° frosted lens (24166405)

TECHNICAL DATA

Length	2,000 ¹ mm
Coefficient of linear expansion	85 * 10 ⁻⁶ / K
Operating temperature	-30 ... +80 °C
Storage temperature ts	-30 ... +80 °C
¹ Tolerance length:	- 0 mm / + 20 mm

RoHS

ORDERING DATA – LENS | O200-2 LINEAR

Colour	Transmission	Weight	Type	Art. Nr.
Transparent	88 %	0.18 kg	LED O200-2 LINEAR LENS 30° clear - 2m	24166408
Transparent	90 %	0.20 kg	LED O200-2 LINEAR LENS 60° clear - 2m	24166406
Transparent	92 %	0.17 kg	LED O200-2 LINEAR LENS 90° clear - 2m	24166407
Semi-transparent	82 %	0.18 kg	LED O200-2 LINEAR LENS NB15° frosted - 2m	24166405
Semi-transparent	85 %	0.18 kg	LED O200-2 LINEAR LENS 30° frosted - 2m	24166409
Semi-transparent	89 %	0.20 kg	LED O200-2 LINEAR LENS 60° frosted - 2m	24166410
Semi-transparent	90 %	0.17 kg	LED O200-2 LINEAR LENS 90° frosted - 2m	24166411

Packaging: 5 pieces/carton, 125 pieces/pallet

Mounting notes

- The lens has to be slided on the profile.

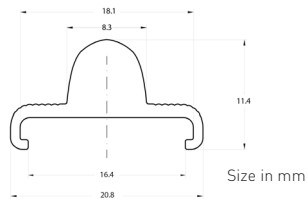
STANDARDS

- EN 60598-1
The lens passed the heat filament test with 650°C as required in EN 60598-1

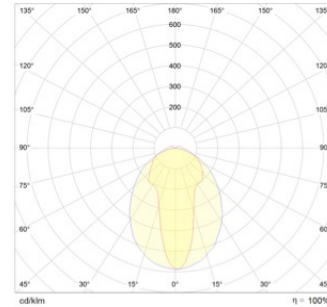
LENS | O200-2 LINEAR

PROPERTIES

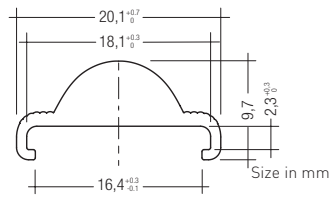
Linear lens 15°



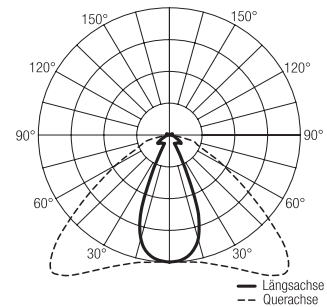
Light distribution 15°



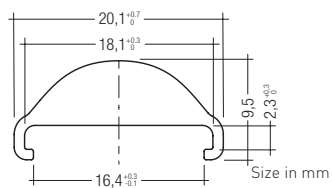
Linear lens 30°



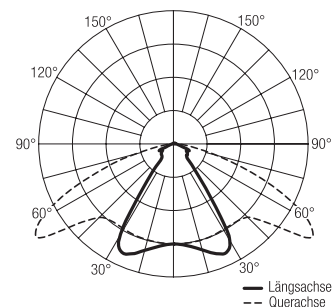
Light distribution 30°



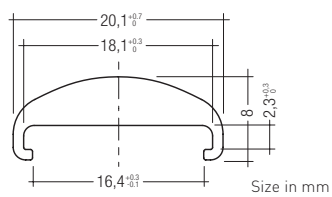
Linear lens 60°



Light distribution 60°



Linear lens 90°



Light distribution 90°

