



## Shelf Lighting | Twin Beam GenX



Refrigeration & Freezer equipment



Shelf Lighting



High efficiency



Plug-in solution  
Tyco-Connection-System



Dimmable



Various lengths



# Shelf Lighting | Twin Beam GenX

## PRODUCT DESCRIPTION

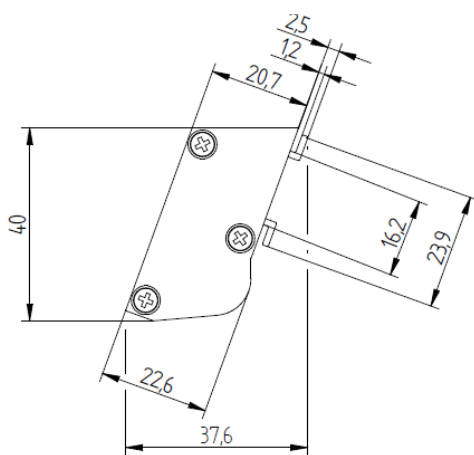
- High efficient frontshelf light
- Ideal for display cabinets with small distance between shelf and products, multidecks with transparent doors and semi-vertical cabinets
- Special bi-directional illumination (up & down)
- Ready-to-connect solution with Tyco (also other cable systems available)
- Simple installation with shelf specific adapter profiles
- Front side inclined for price tag holders
- LED modules protected against moisture & dust by conformal coating
- Linear lens & housing made of Polycarbonate (GWT up to 850°C)
- Safe-use operation due to safety extra-low voltage (SELV)
- End caps made of ABS
- Dimming capability

## TECHNICAL DATA

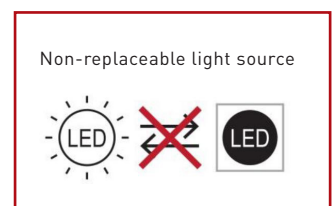
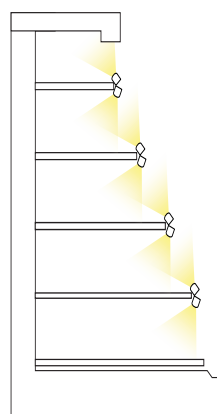
Supply voltage	24 VDC
Ambient temperature $t_a$	-30 ... +30 °C
Max. surface temperature on profile $t_c$	60 °C
Type of protection	IP54
Protection class	III
Risk group (EN 62471:2008)	0



## SKETCH



## APPLICATION



# Shelf Lighting | Twin Beam GenX

## TECHNICAL DATA | ORDER DATA

Art. No.	Type	Length	Light colour	No. of LED modules	Efficiency	Luminous flux	Power	CRI	EEC light source
<b>High Efficient</b>									
91430385	LED LE935 NW 6L14-GenX 24V/33mA TWB-SY 1000 Tyco wht	935mm	Neutral White	6	91lm/W	440lm	4,8W	≥90	F
91430386	LED LE935 WW 6L14-GenX 24V/33mA TWB-SY 1000 Tyco wht	935mm	Warm White	6	83lm/W	400lm	4,8W	≥90	F
91430387	LED LE935 PM 6L14-GenX 24V/33mA TWB-SY 1000 Tyco wht	935mm	Meat & Deli	6	71lm/W	340lm	4,8W	≥90	F
91430388	LED LE1247 NW 8L14-GenX 24V/33mA TWB-SY 1000 Tyco wht	1.247mm	Neutral White	8	91lm/W	580lm	6,4W	≥90	F
91430389	LED LE1247 WW 8L14-GenX 24V/33mA TWB-SY 1000 Tyco wht	1.247mm	Warm White	8	83lm/W	530lm	6,4W	≥90	F
91430390	LED LE1247 PM 8L14-GenX 24V/33mA TWB-SY 1000 Tyco wht	1.247mm	Meat & Deli	8	71lm/W	450lm	6,4W	≥90	F
<b>High Output</b>									
91430391	LED LE935 NW 6L14-GenX 24V/50mA TWB-SY 1000 Tyco wht	935mm	Neutral White	6	96lm/W	690lm	7,2W	≥90	E
91430392	LED LE935 WW 6L14-GenX 24V/50mA TWB-SY 1000 Tyco wht	935mm	Warm White	6	88lm/W	630lm	7,2W	≥90	F
91430393	LED LE935 PM 6L14-GenX 24V/50mA TWB-SY 1000 Tyco wht	935mm	Meat & Deli	6	73lm/W	520lm	7,2W	≥90	F
91430394	LED LE1247 NW 8L14-GenX 24V/50mA TWB-SY 1000 Tyco wht	1.247mm	Neutral White	8	96lm/W	920lm	9,6W	≥90	E
91430395	LED LE1247 WW 8L14-GenX 24V/50mA TWB-SY 1000 Tyco wht	1.247mm	Warm White	8	88lm/W	840lm	9,6W	≥90	F
91430396	LED LE1247 PM 8L14-GenX 24V/50mA TWB-SY 1000 Tyco wht	1.247mm	Meat & Deli	8	73lm/W	700lm	9,6W	≥90	F

Packaging: 12 pieces/carton, 360 pieces/pallet

- All typical values for Ta=25°C +/- 2°C
- Luminous flux min. value = typ. value - 20%
- Tolerance mechanical dimensions +/- 1mm
- Tolerance electrical data +/- 15%
- Tolerance optical data +/- 15%
- Tolerance min. value CRI +/- 1

Luminaires also available in all other LUMITECH light colours:

Cool White  
5000K

Bread & Pastries  
2400K

Pasta & Cheese  
2700K

## CONVERTER

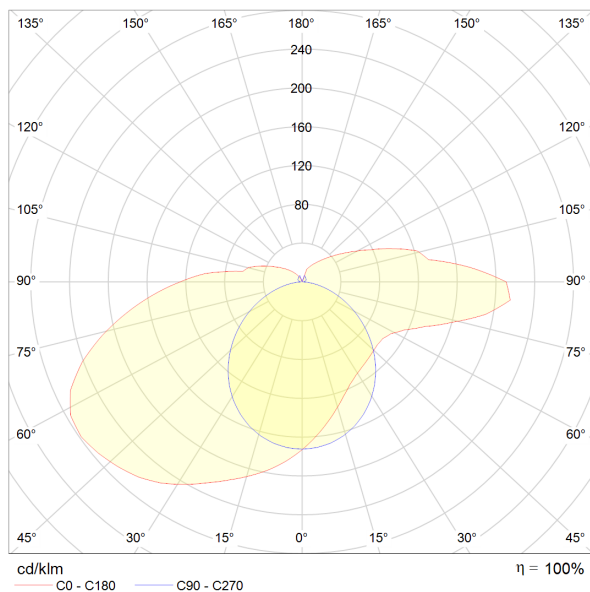
Output voltage	24VDC +10%
Power converter	= sum of the typical individual power of the light engines + 20%

### Selection of the operating device/protective functions

The operating device protects the modules against overvoltage, overcurrent, overload and short circuits. The device must comply with the relevant standards for safe operation in freezer and refrigeration equipment and must be also technically approved by LUMITECH Lighting Solution GmbH. Power supply units must ensure the following protective measures:

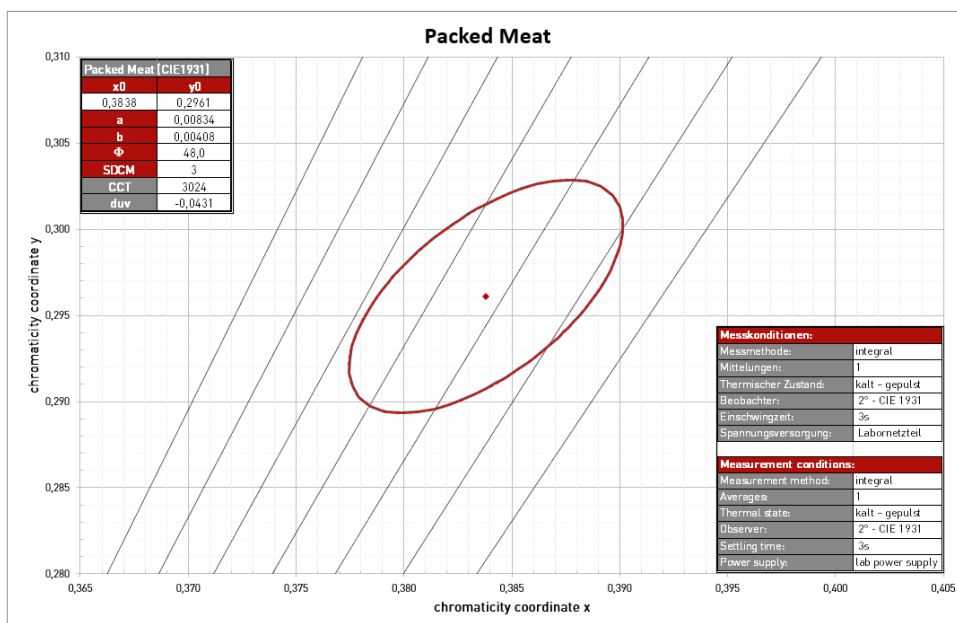
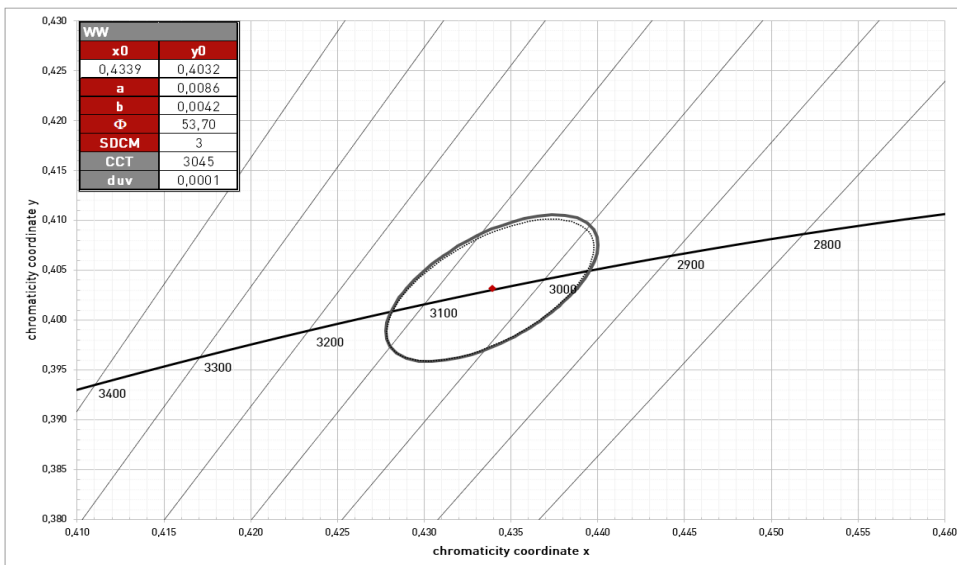
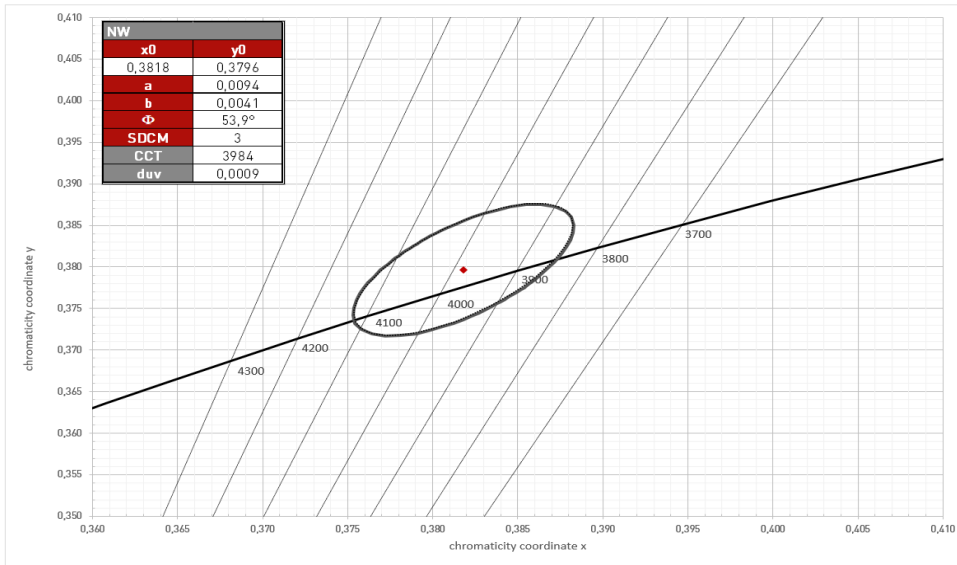
- SELV
- Short-circuit protection
- Overload protection
- Overtemperature protection
- Protection against environmental influences

## OPTICAL PROPERTIES - LUMINAIRE



# Shelf Lighting | Twin Beam GenX

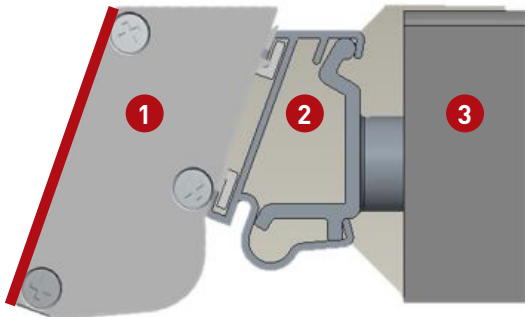
## COORDINATES AND TOLERANCES\*



\*Data refers only to LED MODULES WITHOUT LENS!  
\*Colour shift through the lens is possible on request!

# Shelf Lighting | Twin Beam GenX

## CONNECTION TO THE SHELF



View: Twin Beam luminaire mounted directly on shelf:

- 1) Twin Beam luminaire (red line representing price tag holder)
- 2) Shelf specific adapter profile (Document „Adapter profiles for Twin Beam Shelf Lighting“ available on request!)
- 3) Shelf with distance holder

## COLOUR KEY

Code	CW	NW	WW	PC	BP	PM
Colour	Cool White	Neutral White	Warm White	Pasta & Cheese	Bread & Pastries	Meat & Deli
CCT	5000K	4000K	3000K	2700K	2400K	special colour

## LIFETIME

70.000h (L80 B10)

## STANDARDS

- EN 60598-1
- EN 60598-2-1
- EN 62031
- EN 62471
- EN 60335-2-89
- PRP/HACCP (Food Safety)

## THERMAL BEHAVIOUR

Operating temperature (operation, no defects)	ta	-30 ... +30 °C
Storage temperature	ts	-30 ... +60 °C
Temperature cooling profile <sup>12</sup>	tc	-30 ... +60 °C

<sup>1</sup> Values apply to operation at 100% output, natural convection.

<sup>2</sup> If the maximum temperature limits are exceeded, the lifetime of the module will be greatly reduced or the module may be destroyed. The tc point temperature at the profile of the light engine should be measured in the thermally stable state and under operating conditions by means of a temperature sensor or temperature-sensitive sticker (available for example from conrad.com or rs-components.com) in accordance with EN60598-1. The entire profile can be used as the tc point.



### Note

- Installation should only be conducted by a licensed electrician.
- Reversing the polarity can damage the product!
- Make sure the converter has been switched off prior to connecting the light engine. If this is not observed, the light engine may be damaged!
- Connection or operation is only permitted when using the specified converters. Higher voltages result in damage to or failure of the light engine.
- The user is responsible for correct selection of illumination intensity. Excessive illumination intensity may lead to greying or colour changes of displayed products.