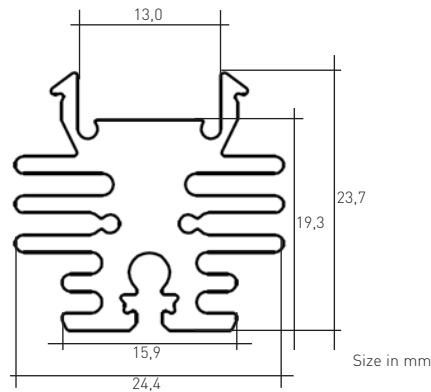




PROFILE | Z40-1

PROFILE | Z40-1



Size in mm

TECHNICAL DATA

Dimensions LxWxH	2000 ¹ x 24,4 x 23,7mm
Weight	1,414kg
Coefficient of linear expansion	23 * 10 ⁻⁶ / K

¹Tolerance length: ± 1 mm

RoHS

PRODUCT DESCRIPTION

- Aluminium mounting profile for LED modules up to a width of 12 mm
- Special profile for high cooling capacity
- Compatible with all currently used lenses
- Aluminium, anodised natural
- Installation with Fixing Plates
- Special endcaps
- Can be expanded with extensive accessories

ORDERING DATA - PROFILE | Z40-1

Type	Art. No.
LED Z40 MOUNTING PROFILE AL - 2m	24166147

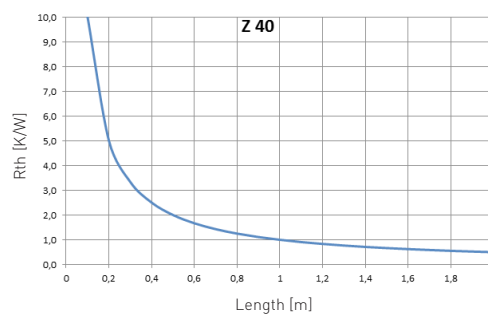
PROPERTIES

Cooling properties

Cooling capacity @ 0°C ambient temperature:	59 W/m thermal power
Cooling capacity @ 25°C ambient temperature:	35 W/m thermal power
Cooling capacity @ 40°C ambient temperature:	21 W/m thermal power

Remark: Data valid for 63°C profile temperature. The applicable electrical power depends on the optical efficiency of the mounted LED modules. E.g. for LEDs with 30% optical efficiency, the applicable electrical power results as thermal power divided by [1 - 0,3].

Rth



The actual Rth can differ because of the inbuilt situation.