



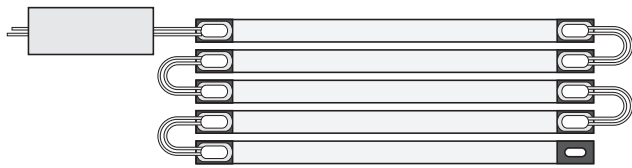
CINCH-CONNECTION-SYSTEM

Cinch-Connection-System

Cinch Connection System provides a quick and convenient way to connect LED engines and converters for refrigeration units.

PROPERTIES OF CINCH

- Electrical connection system
- Cinch consists of power cables (feeder) and connecting cables (bridges) of different lengths, plus direct connectors
- The LED engines are equipped with Cinch-Connection-Endcaps for rapid connection



HIGHLIGHTS CINCH

- Maximum flexibility for connecting devices
- Simple and convenient solution for a wide range of connection combinations

CINCH | FEEDER



- Feeder cable for connecting a linear LED engine to a converter via cinch

ORDERING DATA – Feeder

Length	Weight	Type	Art. Nr.
530 mm	30g	LED Feeder angled CINCH 530	89601612
3.000 mm	85g	LED Feeder straight CINCH 3000	89601602
4.000 mm	102g	LED Feeder angled CINCH 4000	89601603
5.000 mm	120g	LED Feeder straight CINCH 5000	89601611

RoHS

CINCH | BRIDGE



- Bridge for connecting two linear LED engines via cinch

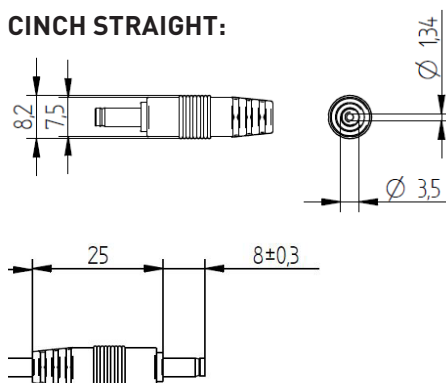
ORDERING DATA – Bridge

Length	Weight	Type	Art. Nr.
50 mm	4g	LED Bridge angled CINCH 50	89601610
50 mm	4g	LED Bridge straight CINCH 50	89601658
120 mm	6g	LED Bridge straight CINCH 120	89601604
200 mm	9g	LED Bridge angled CINCH 200	89601625
250 mm	10g	LED Bridge straight CINCH 250	89601607

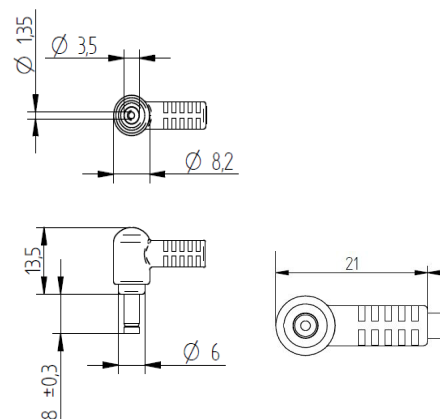
RoHS

CINCH | DIMENSIONS

CINCH STRAIGHT:



CINCH ANGLED:



Cinch-Connection-System

III CINCH | DIRECT CONNECTOR



- Direct connection of two linear LED engines via cinch

III ORDERING DATA – Direct Connector

Length	Weight	Type	Art. Nr.
4,5 mm	80g	LED Bridge CINCH direct connector (100 pcs per pack)	89601606

RoHS

III CINCH | PROTECTION PLUG



- Protection plug for cinch endcaps on LED-Luminaires

III ORDERING DATA – Protection Plug

Type	Art. Nr.
LED PROTECTION PLUG CINCH black (100 pcs per pack)	88167416

RoHS

III CINCH | SEALING RING



- Additional sealing ring for connectors such as feeder, bridge & direct connector

III ORDERING DATA – Sealing Ring

Type	Art. Nr.
LED SEALING RING CINCH black (100 pcs per pack)	88167417

RoHS

III CINCH | PROTECTION PLUG (FEMALE)



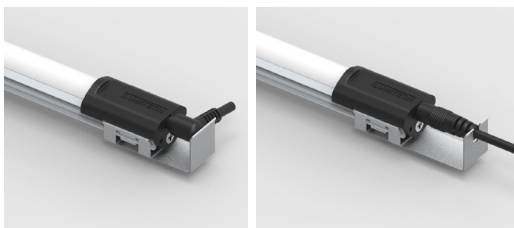
- Protective cover for connectors on feeders & bridges

III ORDERING DATA – Protection Plug (female)

Type	Art. Nr.
LED PROTECTION PLUG FEMALE CINCH black (50 pcs per pack)	88167428

RoHS

III CINCH | STRAIN RELIEF



- Strain relief for feeder cables
- The following standard is thereby fulfilled: EN 60335

III ORDERING DATA – Strain Relief

Type	Art. Nr.
STRAIN RELIEF CINCH PLUG 90°	24166456
STRAIN RELIEF CINCH PLUG STRAIGHT	24166457

RoHS

Cinch-Connection-System

■ CINCH | ADAPTERCABLE WITH SPECIAL PLUGS



- Adaptercable Cinch & Tyco
- Adaptercable Cinch & Plastics
- Further cable lengths available on request

■ BESTELLDATEN – Direct Connector

Length	Plug	Type	Art. Nr.
200mm	Tyco bk	LED Feeder angled CINCH & TYCO bk 200	89601335
900mm	Tyco bk	LED Feeder angled CINCH & TYCO bk 900	89601334
900mm	Tyco wht	LED Feeder angled CINCH & TYCO wht 900	89601301
4000mm	Tyco wht	LED Feeder angled CINCH & TYCO wht 4000	89601303
200mm	Tyco bk	LED Feeder straight CINCH & TYCO bk 200	89601362
900mm	Tyco bk 250V	LED Feeder angled CINCH & TYCO (250V) bk 900	89601339
900mm	Plastics wht	LED Feeder straight CINCH & PLC wht 900	89601304
1000mm	Plastics bk	LED Feeder angled CINCH & PLC bk 1000	89601305