



**POWER LINE** - for dry shelves & refrigerated cabinets

## POWER LINE

The Lumitech Power Line provides quick and convenient wiring of linear LED luminaires and drivers.



### PRODUCT DESCRIPTION

- Designed for all types of dry shelves, as well as refrigerated cabinets (e.g. wall-mounted refrigerated shelves) in supermarkets
- Suitable for retrofit and first fit
- Specially designed for the dimensions of all commercially available furniture geometries
- Newly developed overall concept to meet all necessary norms & standards of the industry
- Cost savings thanks to easy integration into the furniture with reduced installation times
- Retrofits can be made on the fly (no need to clear out goods, as no drilling or similar is required)

### BENEFITS

- Quick & easy installation of the entire system
- Maximum flexibility when connecting the lights (plug & play)
- Mounting of the power rail by magnetic tape or adhesive tape
- Optimized, tool-free connection to the furniture (chip-free)

### TECHNICAL DATA

Supply voltage	24 VDC
Ambient temperature ta	-30 ... +30 °C
Colours	white matt (RAL 9003)   blackgrey matt (RAL 7021)
Max. electrical load capacity	108W / 4,5A
Max. mechanical load capacity	15 Newton
IP Protection	IP24
Dimensions (WxH)	20mm x 7,6mm
Standards	according to EN 60335-2-89, EN 60570

The user is responsible for ensuring the max. electrical, mechanical & thermal properties.

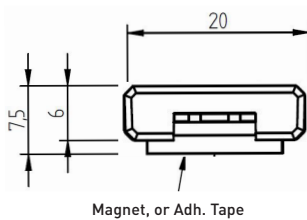
## POWER LINE



- Plug-in system for connecting several LED luminaires
- End caps are included (already mounted on the power rails)

### ORDER DATA

Art. No.	Type	Length	Fixation
89601667	POWER LINE magnetic, bk, 900mm incl. Endcaps	900mm	Magnet
89601665	POWER LINE magnetic, wht, 900mm incl. Endcaps	900mm	Magnet
89601627	POWER LINE magnetic, bk, 1250mm incl. Endcaps	1250mm	Magnet
89601628	POWER LINE magnetic, wht, 1250mm incl. Endcaps	1250mm	Magnet
89601656	POWER LINE magnetic, wht, 1500mm incl. endcaps	1500mm	Magnet
89601657	POWER LINE magnetic, wht, 1800mm incl. endcaps	1800mm	Magnet
89601651	POWER LINE foam tape, bk, 900mm incl. endcaps	900mm	Adh. Tape
89601643	POWER LINE foam tape, bk, 1250mm incl. endcaps	1250mm	Adh. Tape
89601644	POWER LINE foam tape, bk, 2000mm incl. endcaps	2000mm	Adh. Tape
89601663	POWER LINE foam tape, wht, 1250mm incl. endcaps	1250mm	Adh. Tape
89601664	POWER LINE foam tape, wht, 2000mm incl. endcaps	2000mm	Adh. Tape

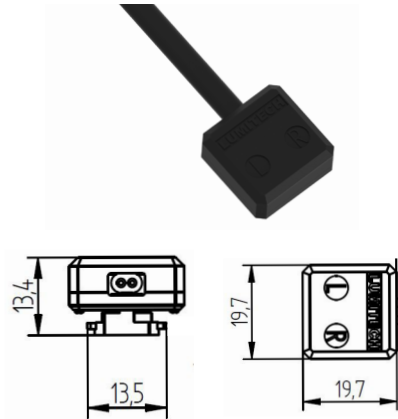


#### Note

- Cutting the power line to length will void the warranty.
- When cleaning the furniture, the power line including accessories should be removed. After cleaning, the power line including accessories can be reinstalled.
- Use a soft, damp cloth for cleaning only.
- Do not use solvents or thinners!

## POWER LINE

### FEEDER



- Connection cable incl. plug
- Can be used for luminaires as well as for connecting the driver

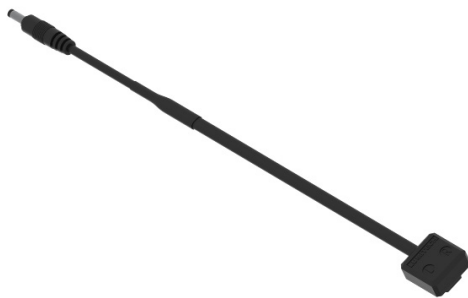
### ORDER DATA

Art. No.	Type	Cable length	Colour
89601649	FEEDER for Power Line, bk, 700	700mm	black
89601650	FEEDER for Power Line, wht, 700	700mm	white
89601661	FEEDER for Power Line, wht, 1000	1000mm	white
89601654	FEEDER for Power Line, bk, 3000	3000mm	black
89601655	FEEDER for Power Line, wht, 3000	3000mm	white

### Reverse polarity protection

The plug can only be attached to the busbar in one direction (asymmetrical design)

### ADAPTER CABLE - CINCH TO POWER LINE



- Adapter to be able to connect Cinch luminaires to the power rail
- Two types of Cinch connectors possible (straight & angled)
- Cinch dimensions, as well as further accessories can be found in the respective data-sheet

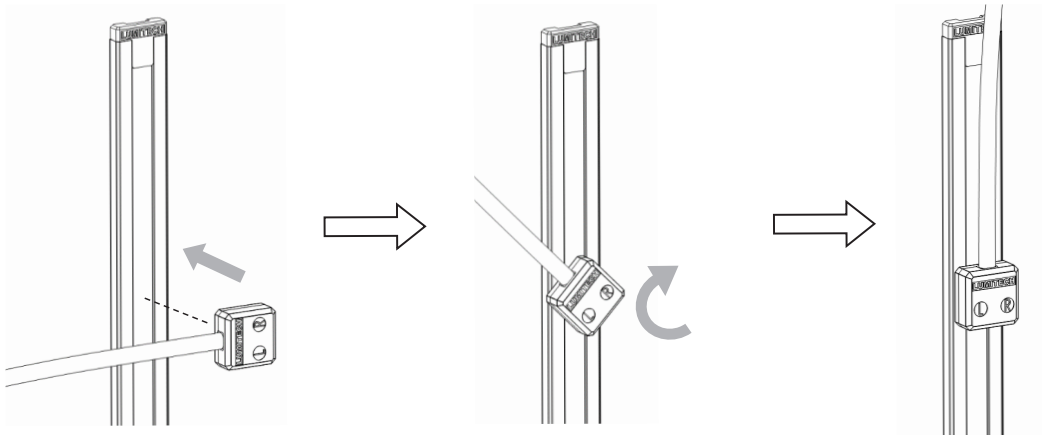
### ORDER DATA

Art. No.	Type	Cable length	Design of Cinch plug
89601350	LED Feeder straight CINCH & PL bk 150	150mm	straight
89601324	LED Feeder straight CINCH & PL bk 600	600mm	straight
89601342	LED Feeder straight CINCH & PL bk 900	900mm	straight
89601347	LED Feeder straight CINCH & PL bk 1500	1500mm	straight
89601348	LED Feeder straight CINCH & PL bk 3000	3000mm	straight
89601340	LED Feeder angled CINCH & PL bk 700	700mm	angled

### Reverse polarity protection

The plug can only be attached to the busbar in one direction (asymmetrical design)

### MOUNTING - FEEDER TO POWER LINE



- Attention:**
- do not bridge conductors
  - only compatible with protection class III
  - SELF driver required

## POWER LINE

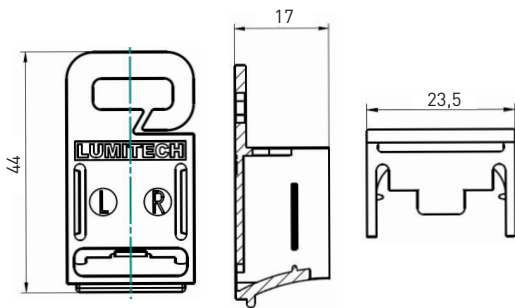
### CONNECTOR FIXING CLIP



- Pull-off protection for the busbar connector
- Cable run inside the loop

#### ORDER DATA

Art. No.	Type	Colour
89601636	CONNECTOR FIXING CLIP Power Line bk	black
89601637	CONNECTOR FIXING CLIP Power Line wht	white



#### Latch protection

The Connector Fixing clip can only be installed when the feeder is mounted correctly

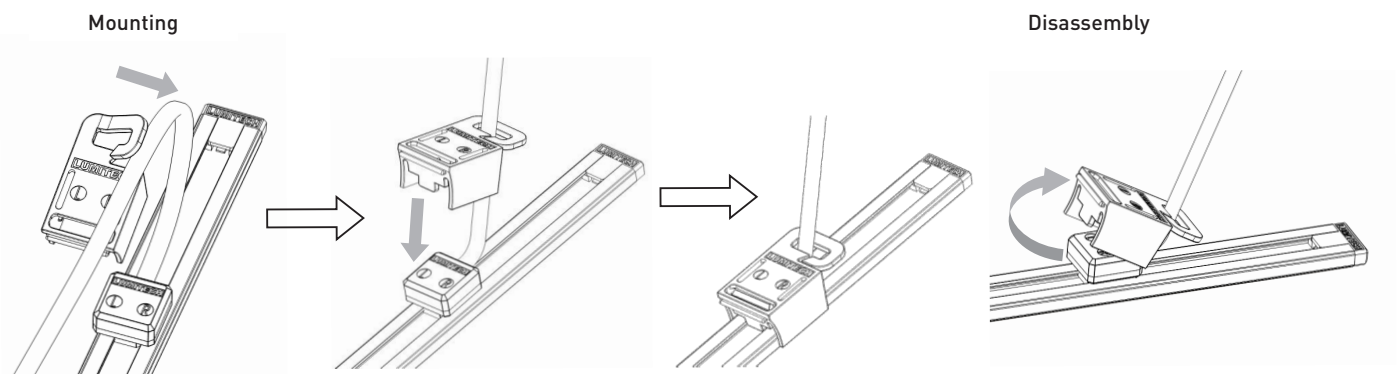
#### Pull-off protection

The Connector Fixing clip must first be removed before the feeder can be detached

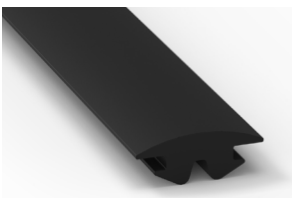
#### Disassembly of the Connector Fixing clip

Pull upwards on the loop

### MOUNTING THE CONNECTOR FIXING CLIP



### PROTECTION STRIP



- Silicone protection strip (sold by the meter)
- Protection against short circuit & oxidation
- Mount the protection by pressing it into the power line

#### ORDER DATA

Art. No.	Type	Colour
89601638	PROTECTION STRIP flexible, bk, xxx	black
89601639	PROTECTION STRIP flexible, wht, xxx	white

