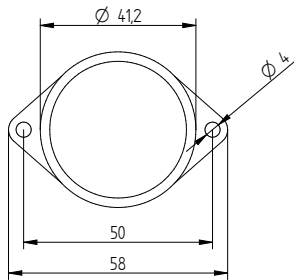
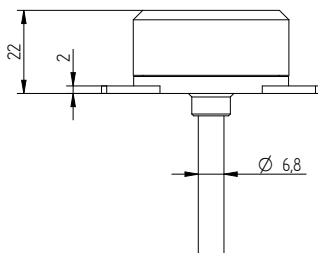


LED COLOR SWITCH



PRODUCT DESCRIPTION

- One cabinet can be fitted with two different product groups
- Two different light colours selectable
- Available in all LUMITECH light colors (including: **Natural Meat** - see details below)
- Identification of the light colors on the switch due to markings
- Power per light color individually selectable (e.g. 4000K = 15W, Meat = 12W)
- Housing with integrated mounting holes (4mm diameter)
- The switch includes a 4-pole cable (1m, white)
- Compact design including moisture protection
- Service life 70,000h
- Made in EU

TECHNICAL DATA

Supply voltage	24 VDC
Ambient temperature t_a	-20 ... +40 °C
Max. Switching capacity / Max. current	72W / 3A
Max. number of switching cycles	2000
EMC compatibility	yes

ORDERING DATA

Art. Nr.	Type
89601668	LED COLOR SWITCH, 24V, 72W, 3A

Packaging unit: 1 pc.



NATURAL MEAT

Reduced foodstuff wastage

Reduced graying increases the shelf life of packaged and unpackaged cold cuts and other meat products and allows them to be sold off the shelf for longer.

FRAUNHOFER LEBERKÄSE

>60% shelf life*

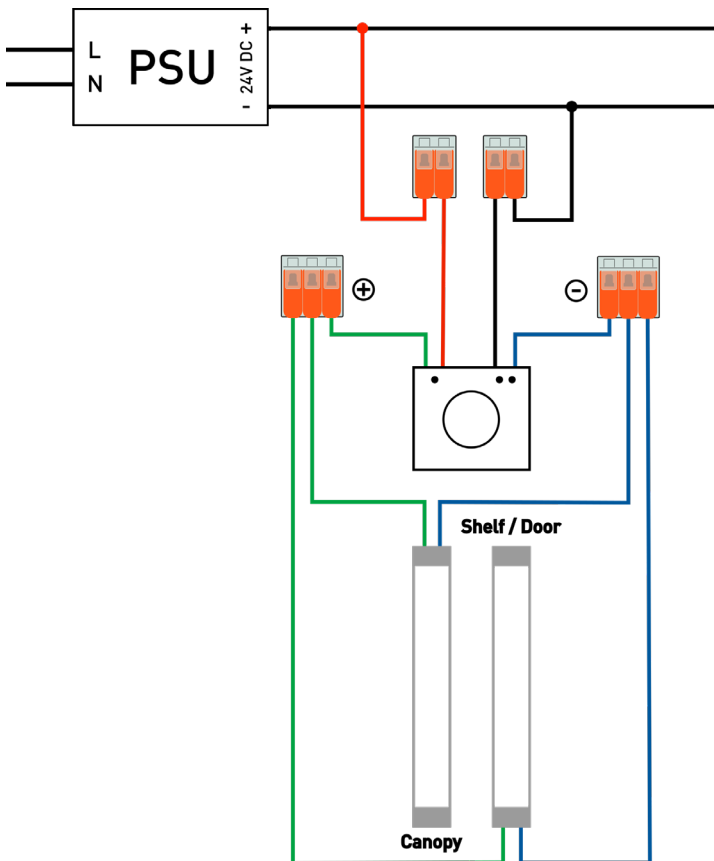
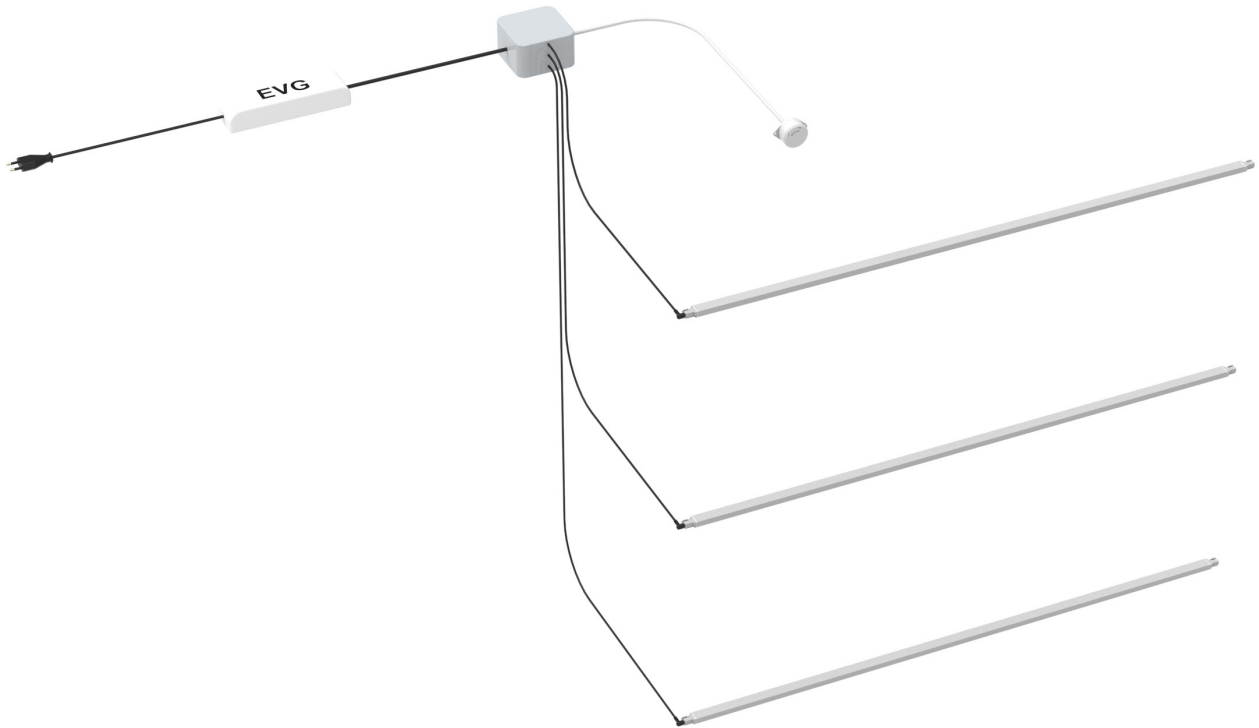
INTERNAL TESTING OF SPECIAL SAUSAGE

>100% shelf life*

*Time to same graying at same illuminance with Natural Meat vs. standard 4000/4200K

LED COLOR SWITCH

III CABELING



LED COLOR SWITCH

OPTIONAL: CABELING WITH DIMMER

