

PRODUCT DESCRIPTION

- Constant Voltage LED Power Supply
- Suitable for operation of PI-LED systems
- Sustained short-circuit current | overload protection | over temperature protection | open loop protection
- Very slim form factor



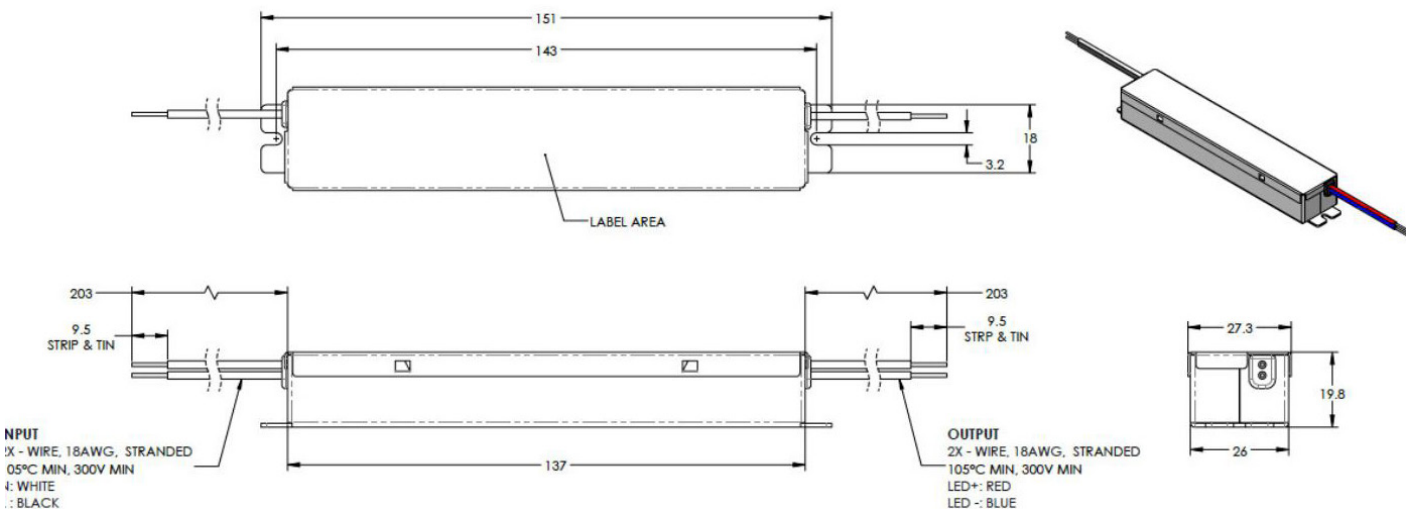
ORDERING DATA AND TECHNICAL DATA

Type	Description
LTP-1081	CONVERTER 96W 48V ERP

Output	Voltage	48 V DC
	Rated current	2 A
	Rated power	96 W
	Voltage tolerance	± 5 %
	Ripple voltage	≤ 5 %
	Startup time	500 ms
Input	Voltage $U_f$	230 V AC
	Frequency range	47...53 Hz
	Efficiency	up to 92 %
	Inrush current	according to NEMA-410
	Power factor	> 0.9
Other technical data	Ambient temperature	-20°C bis +50°C
	Storage temperature	-40°C bis +85°C
	Max. case temperature	+90°C (measured at Tc point)
	Withstand voltage	2.5 kV
	Fulfilled standards, regulations and safety tests	EMV regulation acc.to IEC61000 CE conformity acc. to IEC61347-2-13 ENEC certificate
	Protection class and type	II / IP20
	Lifetime	50,000 h (at 70°C case temperature)
	Dimensions L x W x H	137 mm x 26 mm x 19.8 mm



DRAWINGS AND DIMENSIONS - Size in mm



NOTES

In the case of overload or over temperature, the LED driver reduces independently the maximum output power. In conjunction with a PI-LED system, this may lead to a reduced functionality, malfunction or an automatic shut-down of the system. That protective function serves exclusively security reasons, extended life time and prevention against black out.  
 Secondary switching of the power supply in conjunction with a PI-LED system is not permitted.

All data refer to a ambient temperature of 25°C.